



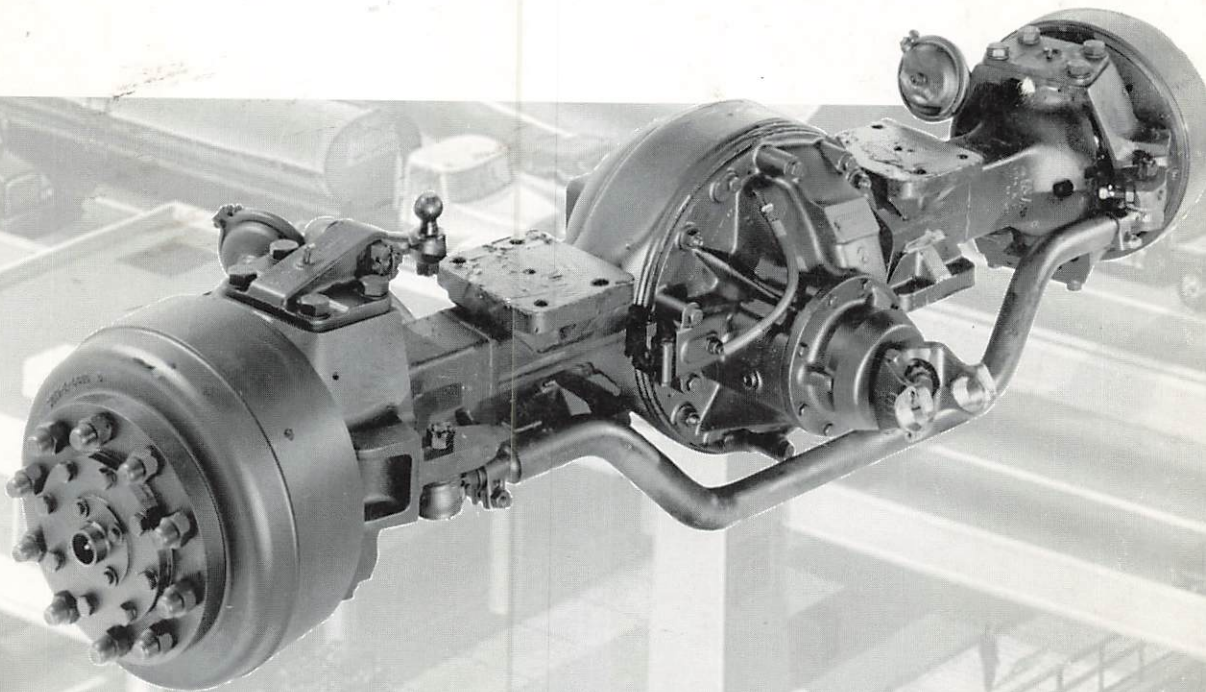
MERITOR
A Heritage of Rockwell Technology

Revised 1-99

\$2.50

Front Drive Steering Axle Parts

Catalog PB-9151



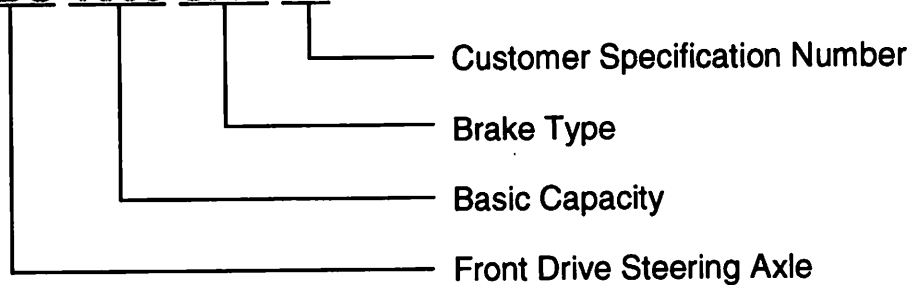
Strength • Power • Speed • Agility

MERITOR PARTS. RIGHT FROM THE START.

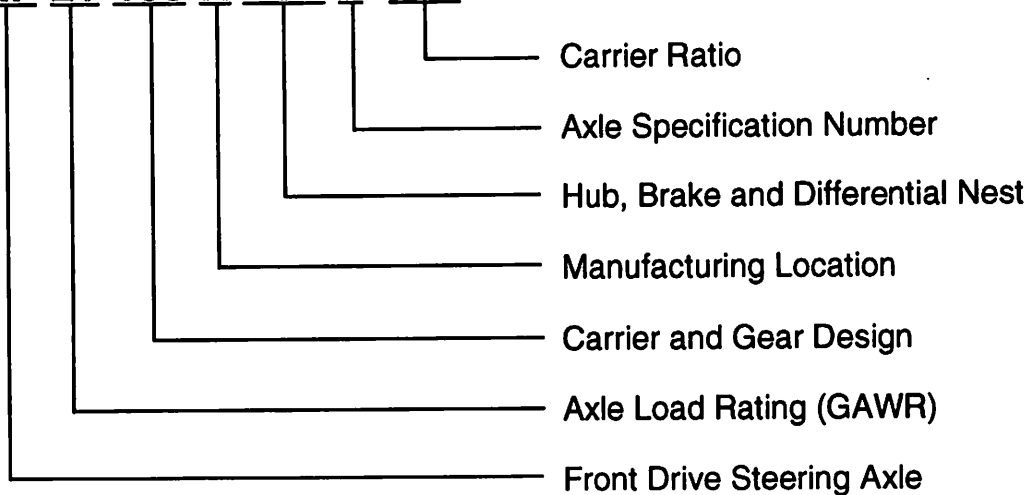
HOW TO USE THIS CATALOG

This catalog lists major component part numbers by individual axle spec number. To find a part number, you must know the spec number of the axle. Below is an explanation of the axle spec numbers for Meritor FDS and RF series axles.

FDS-1600-SAX-60



RF-21-156-N FSF-1 -529



This catalog is organized in four sections. Each section covers a group of similar axles. Each section includes:

- An exploded view illustration and a component description and part number list.
- An axle model reference chart, organized by axle spec number, which uses code numbers to guide you to the correct line in each of the part number charts.
- A series of charts which list the part numbers of the major components.

EXAMPLE: The FDS-75 illustration and component list (Figure 1) are on pages 2-5. The FDS-75 Axle Model Reference Chart on page 6 lists the specs covered in this catalog. The first spec is FDS-75-CHX-2. If you need a part of the cross tube assembly for the CHX-2 spec, the chart indicates you should go to page 10 and find line 1-U2. Line 1-U2 on page 10 lists the individual part numbers of the assembly and matches the parts to the item numbers in Figure 1.

NOTE: For more information, contact Meritor Information Services Department, 7975 Dixie Highway, Florence, KY 41042 (888-725-9355).

TABLE OF CONTENTS

FDS-75, FDS-90, RF-7 and RF-12

Illustration..... 2

Component Part Numbers & Descriptions..... 3

Axle Model Reference Charts..... 6

Carriers..... 7

Wheel Seals and Bearings..... 8

Shaft/Yoke/Joint Assemblies..... 9

Cross Tube Assemblies..... 10

Knuckles and Related Parts..... 10

Drum Brakes and Related Parts..... 12

Disc Brakes and Related Parts..... 13

FDS-1600

Illustration..... 14

Component Part Numbers & Descriptions..... 15

Axle Model Reference Charts..... 17

Shaft/Yoke/Joint Assemblies..... 18

Cross Tube Assemblies..... 18

Knuckles and Related Parts..... 18

Drum Brakes and Related Parts..... 20

Wheel Seals and Bearings..... 20

Carriers..... 21

FDS-1800 Series and FDS-2100 Series

Illustration..... 22

Component Part Numbers & Descriptions..... 23

Axle Model Reference Charts..... 26

Shaft/Yoke/Joint Assemblies..... 31

Cross Tube Assemblies..... 31

Knuckles and Related Parts..... 31

Drum Brakes and Related Parts..... 35

Wheel Seals and Bearings..... 38

Carriers..... 39

RF-16, RF-21 and RF-23

Illustration..... 44

Component Part Numbers & Descriptions..... 45

Axle Model Reference Charts..... 47

Shaft/Yoke/Joint Assemblies..... 50

Cross Tube Assemblies..... 51

Knuckles and Related Parts..... 52

Drum Brakes and Related Parts..... 55

Wheel Seals and Bearings..... 51

Carriers..... 56

Supercession List 58

Numerical Parts List 61

FDS-75, FDS-90, RF-7 and RF-12	1
FDS-1600	2
FDS-1800 Series and FDS-2100 Series	3
RF-16, RF-21 and RF-23	4
Supercession List	5
Numerical Parts List	6

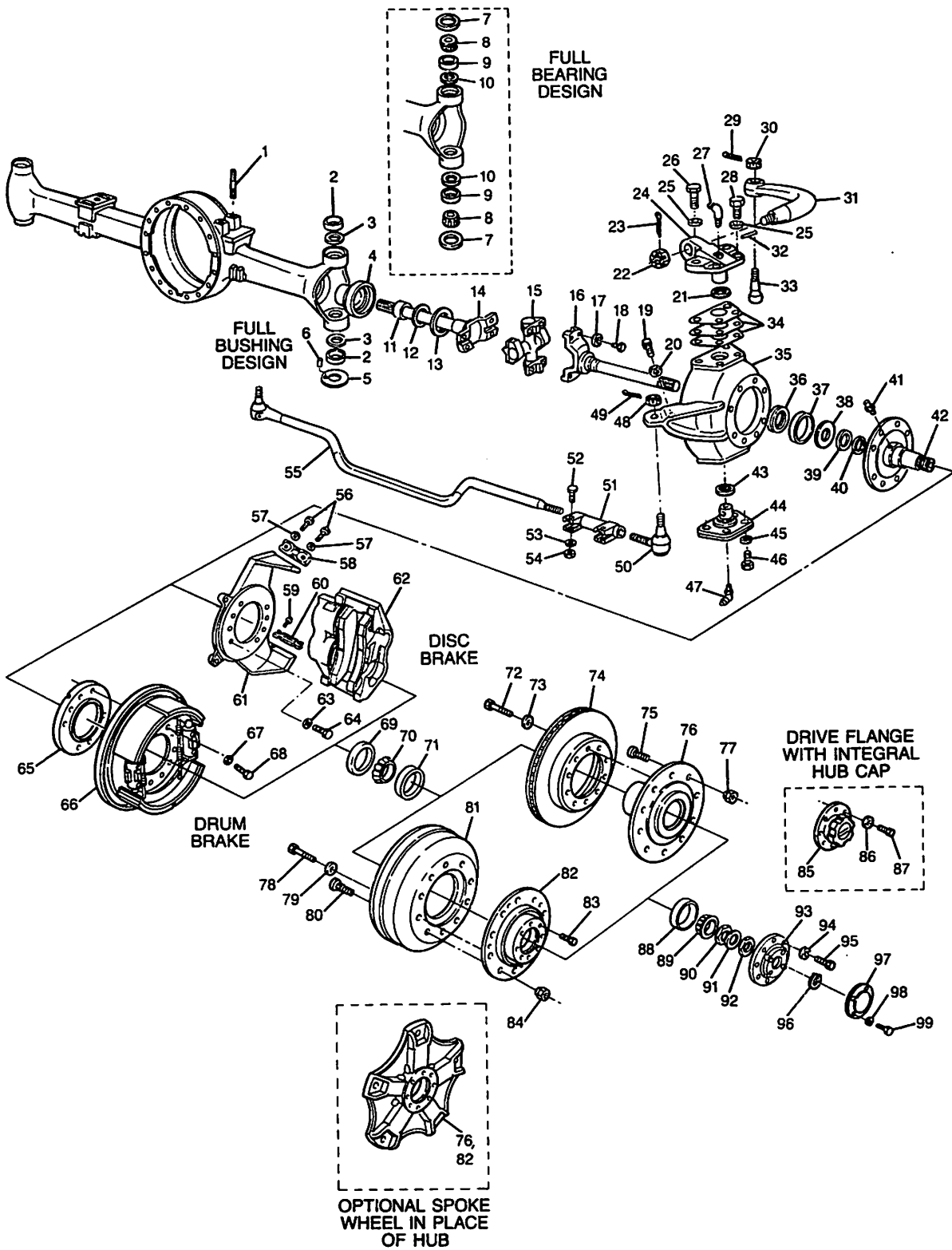


Figure 1 - FDS-75, FDS-90 RF-7 and RF-12

FIGURE 1
FDS-75, FDS-90, RF-7 and RF-12

Item	Description	Part Number	Comments
1	Stud	4-X-1617	5/8"-18 x 3.47"
		4-X-1680	5/8"-18 x 4.22"
2	Bushing	1225-Q-979	
3	Expansion Plug	1250-R-486	
4	Adapter	3268-H-1126	Not needed for all specs
5	Thrustwasher	1229-Z-2938	
6	Pin	1246-E-655	
7	Seal	A-1205-B-1042	
8	Cone	M-86649	
9	Cup	M-86610	
10	Expansion Plug	1250-F-318	
11	Bushing	1225-N-690	FDS-75 Full bearing design
		1225-K-817	All others
12	Washer	1229-B-2940	FDS-75, FDS-90, RF-7 and RF-12 Full bushing design
		1229-M-2223	FDS-75 Full bearing design
		1229-K-2481	FDS-90 Full bearing design
13	Oil Seal	A-1205-D-1044	FDS-75 Full bearing design
		A-1805-R-694	All others
14	Shaft/Yoke - Carrier Side	See Page 9	
15	Cross/U-Joint	See Page 10	
16	Shaft/Yoke - Wheel Side	See Page 9	
17	Washer	Not sold separately	Included with Item 15
18	Capscrew	Not sold separately	Included with Item 15
19	Setscrew	26-X-227	
20	Nut	N-39-1	
21	Grease Seal	1205-G-1801	
22	Nut	14-X-3	
		14-X-27	
23	Cotter Pin	K-2616	
24	Upper Adapter/Cap	See Pages 10-12	
25	Washer	1229-U-1503	1.06" O.D.
		1229-V-1504	1.25" O.D.
26	Capscrew	S-21216A-2	2" Length
		S-21218A-2	2.25" Length
		15-X-1595	2.50" Length
27	Grease Fitting	1199-B-3226	
28	Capscrew	15-X-1594	1.88" Length
		S-21216A-2	2" Length
		15-X-1237	2.50" Length
29	Cotter Pin	K-2412C	
30	Nut	1227-T-410	
31	Steering Arm	See Pages 10-12	
32	Key	16-X-202	
33	Steering Arm Ball	See Pages 10-12	
34	Shims	2203-U-5559	.66" Diameter holes, .003" thickness
		2203-V-5560	.66" Diameter holes, .005" thickness
		2203-W-5561	.66" Diameter holes, .010" thickness

FDS-75, FDS-90, RF-7 and RF-12 (Continued)

Item	Description	Part Number	Comments
34 (Cont)	Shims (Continued)	2203-R-6076	2.50" I.D., .78" diameter holes, .003" thickness
		2203-S-6077	2.50" I.D., .78" diameter holes, .005" thickness
		2203-T-6078	2.50" I.D., .78" diameter holes, .010" thickness
		2203-E-8195	3.24" I.D., .78" diameter holes, .003" thickness
		2203-F-8196	3.24" I.D., .78" diameter holes, .005" thickness
		2203-G-8197	3.24" I.D., .78" diameter holes, .010" thickness
35	Knuckle	See Pages 10-12	
36	Oil Seal	A-1205-V-1062	2.687" Housing diameter bore
		A-1205-T-1424	3.660" Housing diameter bore
37	Oil Seal Wiper	1199-E-2917	
38	Thrustwasher	1229-K-2481	
39	Felt Retainer	1205-E-1435	1.88" I.D., 2.192" O.D.
		1205-N-1184	1.75" I.D., 2.065" O.D.
40	Felt	5-X-797	1.78" I.D., 2.12" O.D.
		5-X-712	1.61" I.D., 2.00" O.D.
41	Grease Fitting	1199-T-2854	
42	Spindle Assembly	See Pages 10-12	
43	Grease Seal	1205-G-1801	
44	Lower Cap	See Pages 10-12	
45	Washer	1229-U-1503	
46	Capscrew	S-21014A-2	5/8"-11 x 1-3/4"
47	Grease Fitting	1199-B-3226	
48	Nut (Included with Item 50)	N-512-1	3/4"-16, 1-1/8" across flats
49	Cotter Pin (Included w/Item 50)	K-2614	1-3/4" Length
50	Tie Rod Assembly	See Page 10	
51	Clamp Assembly	See Page 10	
52	Capscrew	S-1818-2	
53	Lockwasher	WA-18	
54	Nut	N-18-1	
55	Cross Tube with one Tie Rod End	See Page 10	
56	Capscrew	S-266-2	
57	Washer	1229-K-1597	
58	Retainer	3105-M-1183	
59	Capscrew	15-X-1715	
60	Caliper Slide Pin	1259-R-1136	RH
		1259-S-1137	LH
61	Torque Plate	See Page 13	
62	Caliper Assembly	See Page 13	
63	Washer	1229-U-1503	
64	Capscrew	S-21016-2	5/8"-11 x 2"
		S-21022-2	5/8"-11 x 2.75"
65	Adapter/Slinger	See Page 12-13	
66	Brake Assembly	See Page 12-13	
67	Washer	1229-U-1503	
68	Capscrew	S-21026-2	
69	Oil Seal	See Page 8	
70	Inner Bearing Cone	See Page 8	
71	Inner Bearing Cup	See Page 8	
72	Capscrew	10-X-1340	9/16"-12 x 2.06" Use with spoke wheel
		10-X-1345	9/16"-12 x 2.50" Use with hub

FDS-75, FDS-90, RF-7 and RF-12 (Continued)

Item	Description	Part Number	Comments
73	Washer	1229-B-3148	
74	Rotor	See Page 13	
75	Stud	4-X-1770	3/4"-10 x 3" Headless, use with spoke wheel
		20-X-2167	3/4"-16 x 2.38" LH, Headed stud w/serrations
		20-X-2168	3/4"-16 x 2.38" RH, Headed stud w/serrations
		20-X-2033	3/4"-16 x 2.50" LH, Headed stud w/serrations
		20-X-2034	3/4"-16 x 2.50" RH, Headed stud w/serrations
		20-X-2035	3/4"-16 x 2.91" LH, Headed stud w/serrations
		20-X-2036	3/4"-16 x 2.91" RH, Headed stud w/serrations
76	Wheel/Hub	See Page 13	
77	Nut	1199-G-111	LH, 3/4"-16
		1199-H-112	RH, 3/4"-16
78	Capscrew	10-X-1340	
79	Washer	1229-B-3148	
80	Wheel Stud	20-X-209	3/4"-16 x 2.38" LH
		20-X-208	3/4"-16 x 2.38" RH
		20-X-405Z	3/4"-16 x 2.81" LH, Zinc plated
		20-X-404Z	3/4"-16 x 2.81" RH, Zinc plated
		20-X-407Z	3/4"-16 x 3.03" LH, Zinc plated
		20-X-406Z	3/4"-16 x 3.03" RH, Zinc plated
81	Brake Drum	See Page 12-13	
82	Wheel/Hub	See Page 12-13	
83	Countersunk Screw	S-7810S	
84	Nut	1199-G-111	LH, 3/4"-16
		1199-H-112	RH, 3/4"-16
85	Locking Hub Flange	See Pages 12-13	
86	Washer	1229-E-1513	
87	Capscrew	S-2710-2	
88	Outer Bearing Cup	See Page 8	
89	Outer Bearing Cone	See Page 8	
90	Nut	1227-U-515	3.50" Hex (3121 housing series)
		1227-F-162	2.875" Hex (3201 housing series)
91	Lockwasher	1229-C-1459	3.75" O.D. with holes (3121 housing series)
		1229-S-721	3.31" O.D. without holes (3201 housing series)
92	Nut	1227-D-446	3.50" Hex (3121 housing series)
		1227-F-162	2.875" Hex (3201 housing series)
93	Flange	See Pages 12-13	
94	Washer	1229-E-1513	.8125" O.D.
		1229-C-1511	.88" O.D.
95	Capscrew	S-2710-2	7/16"-14 x 1.25"
		S-2712-2	7/16"-14 x 1.50"
		S-2718-2	7/16"-14 x 2.25"
		S-2811-2	1/2"-13 x 1.38"
		S-2812-2	1/2"-13 x 1.50"
		15-X-523C	1/2"-13 x 1.75"
		S-2826-2	1/2"-13 x 3.25"
96	Snap Ring	1229-Z-1118	
97	Flange Cap	See Pages 12-13	
98	Washer	1229-V-1998	.40" I.D., Flat washer
		WA-16	.39" I.D., Spring type lockwasher
99	Capscrew	S-166-2	

AXLE MODEL REFERENCE CHARTS

FDS-75

Axle Model Number FDS-75-	Shaft/ Yoke/Joint Assembly Pg 9	Cross Tube Assembly Pg 10	Knuckle and Related Parts Pg 10-11	Brake and Related Parts Pg 12-13	Wheel End Bearings and Seals Pg 8
CHX-2	1-J5	1-U2	1-K6	1-C1	1-G2
CHX-3	1-J6	1-U2	1-K7	1-C1	1-G2
CHX-8	1-J7	1-U3	1-K18	1-C6	1-G2
CHX-9	1-J7	1-U3	1-K8	1-C2	1-G2
CHX-10	1-J7	1-U3	1-K8	1-C3	1-G2
CHX-17	1-J7	1-U3	1-K8	1-C2	1-G2
CHX-18	1-J7	1-U3	1-K8	1-C3	1-G2
CHX-24	1-J7	1-U3	1-K18	1-C4	1-G2
HDX-75	1-J1	1-U1	1-K1	1-B1	1-G1
HDX-80	1-J1	1-U1	1-K2	1-B2	1-G1
HDX-81	1-J1	1-U1	1-K2	1-B2	1-G1
HDX-82	1-J1	1-U1	1-K2	1-B2	1-G1
HDX-92	1-J1	1-U1	1-K2	1-B2	1-G1
HDX-99	1-J2	1-U1	1-K1	1-B1	1-G1
HDX-100	1-J2	1-U1	1-K2	1-B2	1-G1
HDX-107	1-J3	1-U3	1-K3	1-B2	1-G1
HDX-111	1-J3	1-U3	1-K4	1-B2	1-G1
HDX-115	1-J3	1-U3	1-K5	1-B3	1-G1
HDX-119	1-J4	1-U1	1-K9	1-B4	1-G2
HDX-133	1-J5	1-U2	1-K10	1-B4	1-G2
NX-30	1-J5	1-U2	1-K19	1-B13	1-G2
NX-34	1-J8	1-U1	1-K20	1-B13	1-G2

FDS-90

Axle Model Number FDS-90-	Shaft/ Yoke/Joint Assembly Pg 9	Cross Tube Assembly Pg 10	Knuckle and Related Parts Pg 11	Brake and Related Parts Pg 12-13	Wheel End Bearings and Seals Pg 8
CHX-2	1-J12	1-U2	1-K14	1-C4	1-G2
CHX-3	1-J14	1-U5	1-K15	1-C5	1-G2
NX-2	1-J15	1-U1	1-K21	1-B13	1-G2
RSAX-1	1-J9	1-U1	1-K11	1-B5	1-G2
RSAX-4	1-J9	1-U1	1-K11	1-B5	1-G2
RSAX-7	1-J10	1-U1	1-K11	1-B5	1-G2
RSAX-9	1-J10	1-U1	1-K11	1-B5	1-G2
RSAX-10	1-J10	1-U1	1-K11	1-B5	1-G2
RSAX-11	1-J13	1-U4	1-K16	1-B6	1-G2
RSAX-12	1-J11	1-U1	1-K13	1-B7	1-G2
RSAX-13	1-J11	1-U1	1-K16	1-B7	1-G2
RSAX-17	1-J12	1-U2	1-K17	1-B8	1-G2
RSAX-28	1-J12	1-U2	1-K22	1-B14	1-G3
RSHX-3	1-J9	1-U1	1-K12	1-B9	1-G2
RSHX-6	1-J9	1-U1	1-K11	1-B10	1-G2
RSHX-12	1-J10	1-U1	1-K11	1-B11	1-G2
RSHX-14	1-J13	1-U4	1-K16	1-B12	1-G2

AXLE MODEL REFERENCE CHARTS (Continued)

RF-7

Axle Model Number RF-7-	Shaft/ Yoke/Joint Assembly Pg 9	Cross Tube Assembly Pg 10	Knuckle and Related Parts Pg 11	Brake and Related Parts Pg 13	Wheel End Bearings and Seals Pg 8
120-NFHF-1	1-J17	1-U6	1-K25	1-C7	1-G2
120-NFHF-2	1-J17	1-U6	1-K26	1-C8	1-G2
120-NFHF-4	1-J17	1-U6	1-K26	1-C8	1-G2

RF-12

Axle Model Number RF-12-	Shaft/ Yoke/Joint Assembly Pg 9	Cross Tube Assembly Pg 10	Knuckle and Related Parts Pg 11-12	Brake and Related Parts Pg 13	Wheel End Bearings and Seals Pg 8
120-NFBF-6	1-J16	1-U7	1-K28	1-C9	1-G3
120-NFBF-11	1-J18	1-U7	1-K27	1-C9	1-G3
120-NFSF-3	1-J16	1-U4	1-K24	1-B16	1-G3
125-NFSF-2	1-J16	1-U4	1-K23	1-B15	1-G3

CARRIERS

FDS-75, FDS-90, RF-7 and RF-12

Axle Model Number	Carrier Assembly (Less Yoke)	Axle Ratios
FDS-75-CHX-2	H57-3200-R-1110 (1)	7.80
FDS-75-CHX-3	H-3200-R-1110	7.80
FDS-75-CHX-8	H55-3200-R-1110	4.88, 5.29, 5.57, 6.14, 7.20
FDS-75-CHX-9	H55-3200-R-1110	5.29, 5.83, 6.83, 7.20
FDS-75-CHX10	H55-3200-R-1110	4.63, 5.29, 5.83, 6.83, 7.20
FDS-75-CHX-17	H55-3200-R-1110	5.29, 5.83, 6.14, 6.83, 7.20
FDS-75-CHX-18	H55-3200-R-1110	5.29, 5.83, 6.14, 6.83, 7.20
FDS-75-CHX-24	H55-3200-R-1110	6.14, 7.20
FDS-75-HDX-75	H-3200-R-1110	6.80
FDS-75-HDX-80	H-3200-R-1110	6.80
FDS-75-HDX-81	H-3200-R-1110	6.80
FDS-75-HDX-82	H-3200-R-1110	6.80
FDS-75-HDX-92	H-3200-R-1110	6.80, 6.83, 7.17
FDS-75-HDX-99	H-3200-R-1110	6.80
FDS-75-HDX-100	H-3200-R-1110	6.83
FDS-75-HDX-107	H55-3200-R-1110	6.20, 6.80, 7.20
FDS-75-HDX-111	H-3200-R-1110	7.20
FDS-75-HDX-115	H-3200-R-1110	6.14, 6.83
FDS-75-HDX-119	H-3200-R-1110	6.80
FDS-75-HDX-133	H-3200-R-1110	7.20
FDS-75-NX-30	H-3200-R-1110	7.20
FDS-75-NX-34	H-3200-R-1110	7.17
FDS-90-CHX-2	H84-3200-R-1110	7.80
FDS-90-CHX-3	H-3200-R-1110	4.63
FDS-90-NX-2	H-3200-R-1110	7.17

(1) No less yoke version currently available.

CARRIERS

FDS-75, FDS-90, RF-7 and RF-12 (Continued)

Axle Model Number	Carrier Assembly (Less Yoke)	Axle Ratios
FDS-90-RSAX-1	H-3200-R-1110	6.20, 7.20
FDS-90-RSAX-4	H-3200-R-1110	6.20, 7.20
FDS-90-RSAX-7	H-3200-R-1110	5.83, 6.20, 7.20
FDS-90-RSAX-9	H-3200-R-1110	6.14, 7.17
FDS-90-RSAX-10	H-3200-R-1110	6.20
FDS-90-RSAX-11	H55-3200-R-1110	4.63
FDS-90-RSAX-12	H-3200-R-1110	6.14, 7.17
FDS-90-RSAX-13	H-3200-R-1110	6.20
FDS-90-RSAX-17	H-3200-R-1110	5.29, 6.14
FDS-90-RSAX-28	H-3200-R-1110	7.17
FDS-90-RSHX-3	H-3200-R-1110	7.20
FDS-90-RSHX-6	H-3200-R-1110	6.20
FDS-90-RSHX-12	H55-3200-R-1110	6.20
FDS-90-RSHX-14	H55-3200-R-1110	4.63
RF-7-120-NFHF-1	A34-3200-F-1488	6.83
RF-7-120-NFHF-2	A34-3200-F-1488	6.83
RF-7-120-NFHF-4	A34-3200-F-1488	3.31, 4.10, 4.56, 5.13
RF-12-120-NFBF-6	A34-3200-F-1488	3.73, 4.56, 4.88
RF-12-120-NFBF-11	A34-3200-F-1488	6.83
RF-12-120-NFSF-3	A34-3200-F-1488	4.10, 4.30, 4.56, 4.88, 5.29
RF-12-125-NFSF-2	A53-3200-P-1498 (1)	5.29

(1) No less yoke version currently available.

WHEEL SEALS AND BEARINGS

FDS-75, FDS-90, RF-7 and RF12

Ref	Inner Bearing Cup (71, Fig 1)	Inner Bearing Cone (70, Fig 1)	Outer Bearing Cup (88, Fig 1)	Outer Bearing Cone (89, Fig 1)	Oil Seal (69, Fig 1)
1-G1	39520	39590	382-A	387	A1205-Y-1091
1-G2	JM-612910	JM-612949	JLM-710910	JLM-710949-C	A1205-Y-1091
1-G3	JM-612910	JM-612949	JLM-710910	JLM-710949-C	A1205-J-2220

SHAFT/YOKE/JOINT ASSEMBLIES

FDS-75, FDS-90, RF-7 and RF-12

Ref	LH/ RH	Shaft/Yoke/Joint Assembly (14-18, Fig 1)	Shaft/Yoke - Carrier Side (14, Fig 1)	Shaft/Yoke - Wheel Side (16, Fig 1)	Cross/U-Joint (15, Fig 1)	
1-J1	LH	A1-3202-M-4485 (2)	58WBYSM28-121 (2)	58WBYSM25-2	CP58WB-DWT	
	RH	A1-3202-N-4486 (2)	58WBYSM28-122			
1-J2	LH	A3202-E-7935	58WBYSM28-191 (2)			
	RH	A3202-D-7934	58WBYSM28-192 (2)			
1-J3	LH	A3202-G-7963	58WBYSM28-196 (2)			
	RH	A3202-H-7964 (2)	58WBYSM28-195 (2)			
1-J4	LH	A3202-A-8009 (2)	58WBYSM28-203 (2)			
	RH	A3202-C-8011	58WBYSM28-205			
1-J5	LH	A3202-D-8012	58WBYSM28-206			
	RH	A3202-B-8010	58WBYSM28-204			
1-J6	LH	A3202-B-8010	58WBYSM28-204	58WBYSM28-200		
	RH	A3202-D-8012	58WBYSM28-206			
1-J7	LH	A3202-Z-8008	58WBYSM28-202			
	RH	A3202-X-8006 (2)	58WBYSM28-201			
1-J8	LH	A3202-C-8011	58WBYSM28-205			
	RH	A3202-A-8009 (2)	58WBYSM28-203 (2)			
1-J9	LH	A3202-A-7203	750NYSM28-110		750NYSM28-112	CP750N1
	RH	A3202-Z-7202	750NYSM28-111			
1-J10	LH	A3202-Y-7929	750NYSM28-147			
	RH	A3202-X-7928	750NYSM28-146			
1-J11	LH	A3202-F-8014	750NYSM28-149			
	RH	A3202-E-8013	750NYSM28-150			
1-J12	LH	A3202-K-8123	750NYSM28-153			
	RH	A3202-J-8122	750NYSM28-154			
1-J13	LH	A3202-J-8018	750NYSM28-152			
	RH	A3202-H-8016	750NYSM28-151			
1-J14	LH	A3202-X-8994	750NYSM28-177			
	RH	A3202-Y-8995	750NYSM28-176			
1-J15	LH	A3202-X-7928	750NYSM28-146			
	RH	A3202-Y-7929	750NYSM28-147			
1-J16	LH	A3202-S-9431	750NYSM28-196			
	RH	A3202-W-9435	750NYSM28-200			
1-J17	LH	A3202-E-9443	58WBYSM28-230	58WBYSM28-200	CP58WB-DWT	
	RH	A3202-Z-9438	58WBYSM28-225			
1-J18	LH	A3202-X-9436	750NYSM28-199	750NYSM28-112	CP750N1	
	RH	A3202-T-9432	750NYSM28-197			

(2) No longer available, no replacement.

CROSS TUBE ASSEMBLIES

FDS-75, FDS-90, RF-7 and RF-12

Ref	Cross Tube Assembly (50-55, Fig 1)	Tie Rod End (50, Fig 1)	Clamp Assembly (51, Fig 1)	Cross Tube with one Tie Rod End (55, Fig 1)
1-U1	A1-3102-T-3400	A3144-U-385 (1"-16 Thd. Tube End)	A2249-D-4	A3102-T-3400
1-U2	A1-3102-E-3437			A3102-E-3437
1-U3	A1-3102-C-4215			A3102-C-4215
1-U4	A1-3102-J-4222			A3102-J-4222
1-U5	A1-3102-G-4297			A3102-G-4297
1-U6	A1-3102-N-4434	A3144-D-1070	A3144-E-1071	A3102-N-4434 (3)
1-U7	A1-3102-M-4433			A3102-M-4433 (3)

(3) Tube and clamp only

KNUCKLES AND RELATED PARTS

FDS-75, FDS-90, RF-7 and RF-12

Ref	LH/ RH	Knuckle (35, Fig 1)	Steering Arm (31, Fig 1)	Upper Adapter/Cap (24, Fig 1)	Steering Arm Ball (33, Fig 1)	Lower Cap (44, Fig 1)	Spindle Assembly (42, Fig 1)
1-K1	LH	3111-Y-2339	3133-R-4646 (2)	3280-P-4800 (2)	-	2297-M-2041 (2)	A3111-X-1922
	RH	3111-X-2338 (2)	-	3280-Q-4801	-	2297-M-2041 (2)	A3111-X-1922
1-K2	LH	3111-Y-2339	3133-U-7405K	3280-P-4800 (2)	-	2297-M-2041 (2)	A3111-X-1922
	RH	3111-X-2338 (2)	-	3280-Q-4801	-	2297-M-2041 (2)	A3111-X-1922
1-K3	LH	3111-Y-2339	3133-V-4364 (2)	3280-P-4800 (2)	-	2297-M-2041 (2)	A3111-X-1922
	RH	3111-X-2338 (2)	3133-D-5360 (2)	3280-Q-4801	-	2297-M-2041 (2)	A3111-X-1922
1-K4	LH	3111-Y-2339	3133-J-4924K (2)	3280-P-4800 (2)	-	2297-M-2041 (2)	A3111-X-1922
	RH	3111-X-2338 (2)	-	3280-Q-4801	-	2297-M-2041 (2)	A3111-X-1922
1-K5	LH	3111-X-2546 (2)	3133-U-7405K	3280-U-5351	-	2297-M-2041 (2)	A3111-X-1922
	RH	3111-X-2338 (2)	-	2297-M-2041	-	2297-M-2041 (2)	A3111-X-1922
1-K6	LH	3111-W-2623	3133-Y-5875K	3268-K-1129	-	3262-F-370	A3213-J-1258
	RH	3111-X-2624	3133-J-5886 (2)	3268-K-1129	-	3262-F-370	A3213-J-1258
1-K7	LH	3111-W-2623	-	3268-U-1243	-	3262-F-370	A3213-J-1258
	RH	3111-X-2624	3133-Y-5875K	3268-K-1129	-	3262-F-370	A3213-J-1258
1-K8	LH	3111-W-2623	3133-U-7405K	3268-K-1129	-	3262-F-370	A3213-J-1258
	RH	3111-X-2624	-	3268-U-1243	-	3262-F-370	A3213-J-1258

(2) No longer available with no replacement.

KNUCKLES AND RELATED PARTS (Continued)

FDS-75, FDS-90, RF-7 and RF-12

Ref	LH/ RH	Knuckle (35, Fig 1)	Steering Arm (31, Fig 1)	Upper Adapter/Cap (24, Fig 1)	Steering Arm Ball (33, Fig 1)	Lower Cap (44, Fig 1)	Spindle Assembly (42, Fig 1)
1-K9	LH	3111-W-2623	3133-R-4646 (2)	3268-K-1129	-	3262-F-370	A3213-E-993
	RH	3111-X-2624	-	3268-U-1243	-	3262-F-370	A3213-E-993
1-K10	LH	3111-W-2623	-	3268-U-1243	-	3262-F-370	A3213-E-993
	RH	3111-D-2552 (2)	-	3268-L-1130	-	3262-F-370	A3213-E-993
1-K11	LH	3111-S-2333	3133-V-4364 (2)	3280-U-5351 (2)	-	2297-G-2477 (2)	A3213-W-621
	RH	3111-T-2334	-	3280-T-5350 (2)	-	2297-G-2477 (2)	A3213-W-621
1-K12	LH	3111-S-2333	-	2297-G-2477	-	2297-G-2477 (2)	A3213-W-621
	RH	3111-T-2334	-	2297-G-2477	-	2297-G-2477 (2)	A3213-W-621
1-K13	LH	3111-C-2551	3133-G-7625	3268-K-1129	-	3262-F-370	A3213-W-621
	RH	3111-D-2552 (2)	-	3268-U-1243	-	3262-F-370	A3213-W-621
1-K14	LH	3111-W-2623	-	3268-U-1243	-	3262-F-370	A3213-W-621
	RH	3111-X-2624	3133-R-4256 (2)	3268-L-1130	2110-A-1	3262-F-370	A3213-W-621
1-K15	LH	3111-W-2623	3133-U-7405K	3268-K-1129	2110-A-1	3262-F-370	A3213-K-1467
	RH	3111-X-2624	-	3268-U-1243	-	3262-F-370	A3213-K-1467
1-K16	LH	3111-W-2623	3133-V-4364 (2)	3268-K-1129	-	3262-F-370	A3213-W-621
	RH	3111-X-2624	-	3268-U-1243	-	3262-F-370	A3213-W-621
1-K17	LH	3111-W-2623	3133-J-4924K	3268-K-1129	-	3262-F-370	A3213-W-621
	RH	3111-X-2624	-	3268-U-1243	-	3262-F-370	A3213-W-621
1-K18	LH	3111-W-2623	3133-V-4364 (2)	3268-K-1129	-	3262-F-370	A3213-J-1258
	RH	3111-X-2624	-	3268-U-1243	-	3262-F-370	A3213-J-1258
1-K19	LH	3111-W-2623	3133-R-4256 (2)	3268-U-1243	-	3262-F-370	A3213-E-993
	RH	3111-X-2624	-	3268-L-1130	-	3262-F-370	A3213-E-993
1-K20	LH	3111-W-2623	-	3268-L-1130	-	3262-F-370	A3213-E-993
	RH	3111-X-2624	-	3268-K-1129	-	3262-F-370	A3213-E-993
1-K21	LH	3111-W-2623	-	3268-L-1130	-	3262-F-370	A3213-W-621
	RH	3111-X-2624	-	3268-K-1129	-	3262-F-370	A3213-W-621
1-K22	LH	3111-W-2623	3133-G-7625	3268-K-1129	2110-A-1	3262-F-370	A3213-W-621
	RH	3111-X-2624	-	3268-U-1243	-	3262-F-370	A3213-W-621
1-K23	LH	3111-V-3090	3133-L-6876K	3268-E-1409	-	3262-F-370	A3213-T-1606
	RH	3111-W-3091	-	3268-U-1243	-	3262-F-370	A3213-T-1606
1-K24	LH	3111-V-3090	3133-J-7212	3268-E-1409	-	3262-F-370	A3213-T-1606
	RH	3111-W-3091	-	3268-U-1243	-	3262-F-370	A3213-T-1606
1-K25	LH	3111-H-3466	3133-U-7405K	3268-K-1129	-	3262-F-370	A3213-J-1258
	RH	3111-J-3468	-	3268-U-1243	-	3262-F-370	A3213-J-1258
1-K26	LH	3111-H-3466	3133-U-7405K	3268-K-1129	-	3262-F-370	A3213-S-1605
	RH	3111-J-3468	-	3268-U-1243	-	3262-F-370	A3213-S-1605

(2) No longer available with no replacement.

KNUCKLES AND RELATED PARTS (Continued)

FDS-75, FDS-90, RF-7 and RF-12

Ref	LH/ RH	Knuckle (35, Fig 1)	Steering Arm (31, Fig 1)	Upper Adapter/Cap (24, Fig 1)	Steering Arm Ball (33, Fig 1)	Lower Cap (44, Fig 1)	Spindle Assembly (42, Fig 1)
1-K27	LH	3111-H-3466	3133-J-7212	3268-E-1409	-	3262-F-370	A3213-T-1606
	RH	3111-J-3468	3133-J-7212	3268-E-1409	-	3262-F-370	A3213-T-1606
1-K28	LH	3111-H-3466	3133-L-6876K	3268-E-1409	-	3262-F-370	A3213-T-1606
	RH	3111-J-3468	-	3268-U-1243	-	3262-F-370	A3213-T-1606

DRUM BRAKES AND RELATED PARTS

FDS-75, FDS-90, RF-7 and RF-12

Ref	LH/ RH	Brake Assembly (66, Fig 1)	Adapter/ Slinger (65, Fig 1)	Wheel/ Hub (82, Fig 1)	Brake Drum (81, Fig 1)	Flange (85, 93 Fig 1)	Flange Cap (97, Fig 1)
1-B1	LH	A3236-K-1935	3286-L-272	A333-N-1756	3219-T-3322	3270-R-96	3262-V-100
	RH	A3236-J-1934	3286-L-272	A333-N-1756	3219-T-3322	3270-R-96	3262-V-100
1-B2	LH	A3236-V-2258	3286-L-272	A333-N-1756	3219-T-3322	3270-R-96	3262-V-100
	RH	A3236-U-2257	3286-L-272	A333-N-1756	3219-T-3322	3270-R-96	3262-V-100
1-B3	LH	A3236-Y-1715 (2)	3286-L-272	A333-N-1756	3219-T-3322	A3270-M-195 (4)	-
	RH	A3236-X-1714	3286-L-272	A333-N-1756	3219-T-3322	A3270-M-195 (4)	-
1-B4	LH	A3236-V-2258	3286-A-547	A333-F-4114	3219-T-3322	3270-C-1043	3262-L-1052
	RH	A3236-U-2257	3286-A-547	A333-F-4114	3219-T-3322	3270-C-1043	3262-L-1052
1-B5	LH	RSA1540-397	3268-G-865	A333-C-2707 (6)	3219-G-3829	3270-C-133	3262-V-100
	RH	RSA1540-398	3268-G-865	A333-C-2707 (7)	3219-G-3829	3270-C-133	3262-V-100
1-B6	LH	RSA1540-397	3268-G-865	A333-B-4110 (18)	3219-G-3829	3270-C-1043	3262-L-1052
	RH	RSA1540-398	3268-G-865	A333-B-4110 (18)	3219-G-3829	3270-C-1043	3262-L-1052
1-B7	LH	RSA1540-397	3268-G-865	A333-B-4110 (18)	3219-G-3829	3270-C-1043	3262-L-1052
	RH	RSA1540-398	3268-G-865	A333-B-4110 (18)	3219-G-3829	3270-C-1043	3262-L-1052
1-B8	LH	RSA1540-397	3268-G-865	311-U-489 (5)	3219-K-4691	3270-C-1043	3262-L-1052
	RH	RSA1540-398	3268-G-865	311-U-489 (5)	3219-K-4691	3270-C-1043	3262-L-1052
1-B9	LH	RSH-1540-227	3268-G-865	A333-C-2707 (6)	3219-G-3829	3270-C-133	3262-V-100
	RH	RSH-1540-227	3268-G-865	A333-C-2707 (7)	3219-G-3829	3270-C-133	3262-V-100
1-B10	LH	RSH-1540-245	3268-G-865	A333-C-2707 (6)	3219-G-3829	3270-C-133	3262-V-100
	RH	RSH-1540-245	3268-G-865	A333-C-2707 (7)	3219-G-3829	3270-C-133	3262-V-100
1-B11	LH	RSH-1540-393	3268-G-865	A333-C-2707 (6)	3219-G-3829	3270-C-133	3262-V-100
	RH	RSH-1540-393	3268-G-865	A333-C-2707 (7)	3219-G-3829	3270-C-133	3262-V-100

(2) No longer available with no replacement.

(4) Flange assembly A3270-M-195 (85, Fig 1) includes locking hub.

(5) Wheel

(6) Replaced by KIT 9307 which includes L.H. hub and drum assembly, flange and seal.

(7) Replaced by KIT 9308 which includes R.H. hub and drum assembly, flange and seal.

(18) Wheel studs should also be updated. Contact Florence Information Services with original axle specification number (1-888-725-9355).

DRUM BRAKES AND RELATED PARTS (Continued)

FDS-75, FDS-90, RF-7 and RF-12

Ref	LH/ RH	Brake Assembly (66, Fig 1)	Adapter/ Slinger (65, Fig 1)	Wheel/ Hub (82, Fig 1)	Brake Drum (81, Fig 1)	Flange (85, 93 Fig 1)	Flange Cap (97, Fig 1)
1-B12	LH	RSH-1540-393	3268-G-865	A333-B-4110 (18)	3219-G-3829	3270-C-1043	3262-L-1052
	RH	RSH-1540-393	3268-G-865	A333-B-4110 (18)	3219-G-3829	3270-C-1043	3262-L-1052
1-B13	LH	-	-	A333-F-4114	-	3270-C-1043	3262-L-1052
	RH	-	-	A333-F-4114	-	3270-C-1043	3262-L-1052
1-B14	LH	RSA1540-405	3268-G-865	A333-B-4110	3219-K-4691	3270-C-1043	3262-L-1052
	RH	RSA1540-406	3268-G-865	A333-B-4110	3219-K-4691	3270-C-1043	3262-L-1052
1-B15	LH	RSA1540-373	-	A333-B-4110	3219-K-4691	3270-C-1043	3262-L-1052
	RH	RSA1540-374	-	A333-B-4110	3219-K-4691	3270-C-1043	3262-L-1052
1-B16	LH	RSA1540-373	-	A333-B-4110	B3219-K-4691	3270-C-1043	3262-L-1052
	RH	RSA1540-374	-	A333-B-4110	B3219-K-4691	3270-C-1043	3262-L-1052

(18) Wheel studs should also be updated. Contact Florence Information Services with original axle specification number (1-888-725-9355).

DISC BRAKES AND RELATED PARTS

FDS-75 and FDS-90

Ref	LH/ RH	Torque Plate (61, Fig 1)	Caliper Assembly (62, Fig 1)	Wheel/ Hub (76, Fig 1)	Rotor (74, Fig 1)	Flange (85, 93 Fig 1)	Flange Cap (97, Fig 1)
1-C1	LH	3215-B-1068	A3263-M-1053	311-U-489 (5)	3218-C-237	3270-C-1043	3262-L-1052
	RH	3215-C-1069	A3263-M-1053	311-U-489 (5)	3218-C-237	3270-C-1043	3262-L-1052
1-C2	LH	3215-B-1068	A3263-M-1053	333-T-3114	3218-E-265	A333-S-4127 (8)	-
	RH	3215-C-1069	A3263-M-1053	333-T-3114	3218-E-265	A333-S-4127 (8)	-
1-C3	LH	3215-B-1068	A3263-M-1053	333-T-3114	3218-E-265	3270-C-1043	3262-L-1052
	RH	3215-C-1069	A3263-M-1053	333-T-3114	3218-E-265	3270-C-1043	3262-L-1052
1-C4	LH	3215-B-1068	A3263-M-1053	333-A-3121	3218-C-237	3270-C-1043	3262-L-1052
	RH	3215-C-1069	A3263-M-1053	333-A-3121	3218-C-237	3270-C-1043	3262-L-1052
1-C5	LH	3215-B-1068	A3263-M-1053	333-A-3121	3218-C-237	3270-M-1027	3262-Q-1005
	RH	3215-C-1069	A3263-M-1053	333-A-3121	3218-C-237	3270-M-1027	3262-Q-1005
1-C6	LH	3215-B-1068	A3263-M-1053	A333-B-4110	3218-C-237	3270-C-1043	3262-L-1052
	RH	3215-C-1069	A3263-M-1053	A333-B-4110	3218-C-237	3270-C-1043	3262-L-1052
1-C7	LH	3215-B-1068	A3263-M-1053	A333-G-4245	3218-C-237	A333-S-4127 (8)	3262-L-1052
	RH	3215-C-1069	A3263-M-1053	A333-G-4245	3218-C-237	A333-S-4127 (8)	3262-L-1052
1-C8	LH	3215-B-1068	A3263-M-1053	A333-G-4245	3218-C-237	3270-C-1043	3262-L-1052
	RH	3215-C-1069	A3263-M-1053	A333-G-4245	3218-C-237	3270-C-1043	3262-L-1052
1-C9	LH	3215-B-1068	A3263-M-1053	A333-B-4110	3218-C-237	3270-C-1043	3262-L-1052
	RH	3215-C-1069	A3263-M-1053	A333-B-4110	3218-C-237	3270-C-1043	3262-L-1052

(5) Wheel

(8) Assembly A333-S-4127 (85, Fig 1) includes locking hub.

HUB AND DRUM
IN PLACE OF
SPOKE WHEEL
AND DRUM

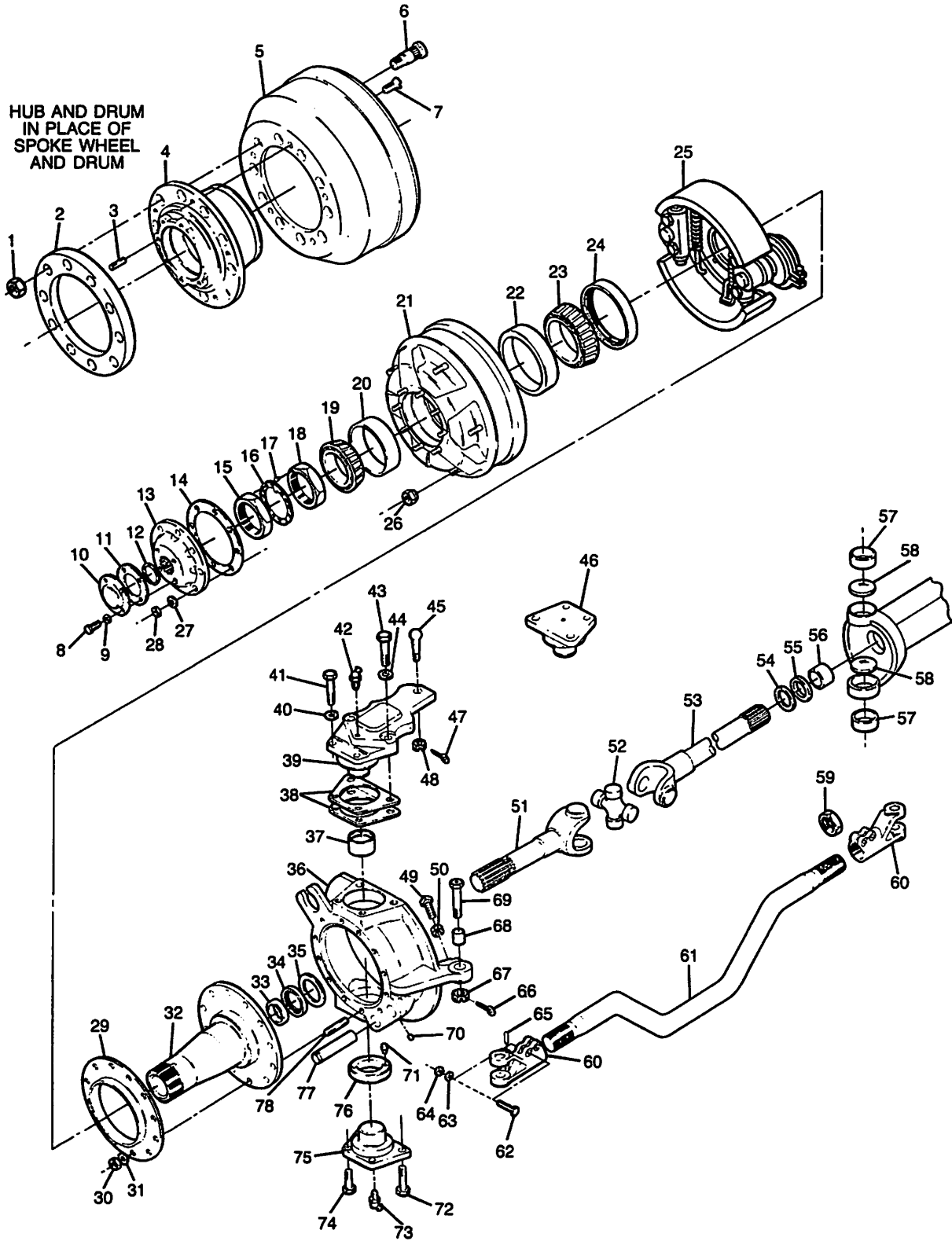


Figure 2 - FDS-1600

FIGURE 2

FDS-1600

Item	Description	Part Number	Comments
1	Nut	1199-M-117	LH, 1-1/8"-16
		1199-N-118	RH, 1-1/8"-16
2	Wheel Spacer	3280-L-5940	
3	Stud	SC-1021-1	
4	Hub	See Page 20	
5	Brake Drum	See Page 20	
6	Wheel Stud	20-X-1281	LH, 1-1/8"-16 x 3.15"
		20-X-1280	RH, 1-1/8"-16 x 3.15"
		20-X-1326	LH, 1-1/8"-16 x 3.97"
		20-X-1325	RH, 1-1/8"-16 x 3.97"
		20-X-747	LH, 1-1/8"-16 x 3.15" Use with .31" to .75" thick wheels
		20-X-746	RH, 1-1/8"-16 x 3.15" Use with .31" to .75" thick wheels
7	Screw	10-X-951	
8	Capscrew	S-166-2	
9	Washer	1229-K-1597	.41" I.D. Flat washer
		WA-16	.39" I.D. Spring type lockwasher
10	Hub Cap	See Page 20	
11	Shim	2203-A-4967	
12	Snap Ring	1229-C-2057	
13	Flange	See Page 20	
14	Gasket	2208-X-440	
15	Nut	1227-W-699	
16	Washer	1229-Z-2106	
17	Dowel	1246-F-500	
18	Nut	A-1227-X-752	
19	Outer Bearing Cone	See Page 20	
20	Outer Bearing Cup	See Page 20	
21	Wheel/Drum Assembly	See Page 20	
22	Inner Bearing Cup	See Page 20	
23	Inner Bearing Cone	See Page 20	
24	Oil Seal	See Page 20	
25	Brake Assembly	See Page 20	
26	Nut		Not used on models in this book
27	Lockwasher	WA-110	
28	Nut	N-110-1	
29	Adapter/Slinger	See Page 20	
30	Nut	NL-19-1	
31	Washer	1229-Y-1507	.0938" Thickness
		1229-X-1558	.12" Thickness
32	Spindle Assembly	See Pages 18-19	
33	Felt	5-X-702	
34	Oil Seal	A-1805-S-539	
		A-1805-A-573	
35	Washer	1229-B-2108	
36	Knuckle	See Pages 18-19	
37	Bushing	1825-D-212	
38	Shim	2803-V-1894	.003" Thickness
		2803-W-1895	.005" Thickness
		2803-X-1896	.010" Thickness

2

FDS-1600 (Continued)

Item	Description	Part Number	Comments
39	Steering Arm	See Pages 18-19	
40	Washer	1229-M-1625	
41	Capscrew - Outer	S-21217-2	3/4"-10 x 2.12"
42	Grease Fitting	1898-X-518	45° angle
		1199-B-3226	65° angle
43	Capscrew - Inner	S-11416-2	7/8"-14 x 2"
		S-11422-2	7/8"-14 x 2.75"
44	Washer	1229-V-1504	
45	Steering Arm Ball	See Pages 18-19	
46	Upper Cap	See Pages 18-19	
47	Cotter Pin	K-2412	
48	Nut	NL-212-1	
49	Stopscrew	26-X-146	2.50" Length
		26-X-163	2.01" Length
50	Stopscrew Jam Nut	14-X-22	.875" hex, Use with 26-X-163
		N-410-1	.625" hex, Use with 26-X-146
51	Shaft/Yoke - Wheel Side	See Page 18	
52	Cross/U-Joint	See Page 18	
53	Shaft/Yoke - Carrier Side	See Page 18	
54	Washer	1229-B-2108	
55	Oil Seal	A-1805-S-539	
		A-1805-A-573	
56	Bushing	1825-Y-259	
57	Bushing	1825-C-211	
58	Expansion Plug	1850-G-137	
59	Nut	See Page 18	
60	Cross Tube End	See Page 18	
61	Cross Tube	See Page 18	
62	Capscrew	S-1822-2	
63	Lockwasher	WA-18	
64	Nut	N-18-1	
65	Pin	1246-L-272	
66	Cotter Pin	K-2412	
67	Nut	1827-J-88	
68	Bushing	1825-C-159	
69	Bolt	10-X-216	
70	Setscrew	26-X-236	
71	Pin	1246-E-31	
72	Capscrew	S-11416-2	
73	Grease Fitting	1199-B-3226	
74	Capscrew	S-21217-2	
75	Lower Cap	See Pages 18-19	
76	Thrustwasher	A-1829-J-790	
77	Anchor Pin	1859-T-98	
78	Stud	SN-919-1	

AXLE MODEL REFERENCE CHARTS

FDS-1600

Axle Model Number FDS-1600-	Shaft/ Yoke/Joint Assembly Pg 18	Cross Tube Assembly Pg 18	Knuckle and Related Parts Pg 18-19	Brake and Related Parts Pg 20	Wheel End Bearings and Seals Pg 20
SAX-60	2-J1	2-U1	2-K7	2-B4	2-G1
SAX-61	2-J1	2-U1	2-K8	2-B4	2-G1
SAX-63	2-J1	2-U1	2-K9	2-B4	2-G1
SAX-65	2-J1	2-U1	2-K12	2-B4	2-G1
SAX-76	2-J1	2-U1	2-K15	2-B4	2-G1
SAX-78	2-J1	2-U1	2-K16	2-B4	2-G1
SAX-85	2-J1	2-U1	2-K4	2-B4	2-G1
SAX-91	2-J1	2-U1	2-K10	2-B4	2-G1
SAX-102	2-J1	2-U1	2-K17	2-B4	2-G1
SAX-114	2-J1	2-U1	2-K17	2-B4	2-G1
SAX-115	2-J1	2-U3	2-K5	2-B4	2-G1
SAX-124	2-J1	2-U2	2-K7	2-B4	2-G1
SAX-135	2-J1	2-U1	2-K14	2-B4	2-G1
SAX-139	2-J1	2-U1	2-K13	2-B4	2-G1
SAX-140	2-J1	2-U1	2-K2	2-B4	2-G1
SAX-141	2-J1	2-U1	2-K6	2-B1	2-G1
SAX-146	2-J1	2-U3	2-K5	2-B4	2-G1
SAX-149	2-J1	2-U1	2-K18	2-B1	2-G1
SAX-154	2-J1	2-U1	2-K1	2-B2	2-G1
SAX-155	2-J1	2-U1	2-K2	2-B4	2-G1
SAX-162	2-J1	2-U1	2-K11	2-B4	2-G1
SAX-163	2-J1	2-U1	2-K12	2-B4	2-G1
SAX-164	2-J1	2-U1	2-K4	2-B4	2-G1
SAX-167	2-J1	2-U1	2-K13	2-B4	2-G1
SAX-169	2-J1	2-U2	2-K12	2-B4	2-G1
SAX-174	2-J1	2-U1	2-K14	2-B4	2-G1
SAX-180	2-J1	2-U1	2-K3	2-B4	2-G1
SAX-183	2-J1	2-U1	2-K5	2-B3	2-G1
SAX-184	2-J1	2-U1	2-K13	2-B4	2-G1
SAX-185	2-J1	2-U1	2-K3	2-B4	2-G1
SAX-188	2-J1	2-U1	2-K4	2-B4	2-G1
SAX-195	2-J1	2-U1	2-K13	2-B4	2-G1
SAX-201	2-J1	2-U1	2-K13	2-B4	2-G1
SAX-215	2-J1	2-U1	2-K13	2-B4	2-G1

2

SHAFT/YOKE/JOINT ASSEMBLIES

FDS-1600

Ref	LH/ RH	Shaft/Yoke/Joint Assembly (51-53, Fig 2)	Shaft/Yoke - Carrier Side (53, Fig 2)	Shaft/Yoke - Wheel Side (51, Fig 2)	Cross/U-Joint (52, Fig 2)
2-J1	LH/RH	A3202-N-5916	850NYSM30-25	850NYSM32-18	CP850N4

CROSS TUBE ASSEMBLIES

FDS-1600

Ref	Cross Tube and End Assembly (59-61, Fig 2)	Cross Tube (9) (61, Fig 2)	Cross Tube (9) End - LH or RH (60, Fig 2)	Cross Tube (9) End - LH or RH (60, Fig 2)
2-U1	A3102-R-3268	3102-R-3268	3944-H-8 (1.75"-12 Threads)	3944-B-28 (1.75"-16 Threads)
2-U2	A3902-D-212	3902-D-212		
2-U3	A3902-B-210	3902-B-210	3144-H-528 (1.75"-12 Threads)	3144-J-530 (1.75"-16 Threads)

(9) Cross tube is symmetrical except for different threads at each end.

KNUCKLES AND RELATED PARTS

FDS-1600

Ref	LH/ RH	Knuckle (36, Fig 2)	Steering Arm (39, Fig 2)	Upper Cap (46, Fig 2)	Steering Arm Ball (45, Fig 2)	Lower Cap (75, Fig 2)	Spindle Assembly (32, Fig 2)
2-K1	LH	A1-3111-U-1529	A3133-P-4046	-	-	3866-J-816	A3111-R-1526
	RH	A1-3111-V-1530	-	3266-Q-589	-	3866-J-816	A3111-R-1526
2-K2	LH	A1-3111-U-1529	A3133-X-4054	-	2910-G-33 (2)	3866-J-816	A3111-R-1526
	RH	A1-3111-V-1530	-	3266-Q-589	-	3866-J-816	A3111-R-1526
2-K3	LH	A1-3111-U-1529	A3133-X-4054	-	2910-G-33 (2)	3866-J-816	A3111-R-1526
	RH	A1-3111-V-1530	A3133-X-4054	-	2910-G-33 (2)	3866-J-816	A3111-R-1526
2-K4	LH	A1-3111-U-1529	A3133-M-4667	-	-	3866-J-816	A3111-R-1526
	RH	A1-3111-V-1530	A3133-M-4667	-	-	3866-J-816	A3111-R-1526
2-K5	LH	A1-3111-U-1529	A2-3133-K-4821	-	-	3866-J-816	A3111-R-1526
	RH	A1-3111-V-1530	A2-3133-K-4821	-	-	3866-J-816	A3111-R-1526
2-K6	LH	A1-3111-U-1529	A3133-G-5623	-	2110-H-216	3866-J-816	A3111-R-1526
	RH	A1-3111-V-1530	-	3266-Q-589	-	3866-J-816	A3111-R-1526

(2) No longer available with no replacement.

KNUCKLES AND RELATED PARTS (Continued)

FDS-1600

Ref	LH/ RH	Knuckle (36, Fig 2)	Steering Arm (39, Fig 2)	Upper Cap (46, Fig 2)	Steering Arm Ball (45, Fig 2)	Lower Cap (75, Fig 2)	Spindle Assembly (32, Fig 2)
2-K7	LH	A1-3111-U-1529	A3933-J-322	-	2910-R-18	3866-J-816	A3111-R-1526
	RH	A1-3111-V-1530	A3933-J-322	-	2910-R-18	3866-J-816	A3111-R-1526
2-K8	LH	A1-3111-U-1529	-	1199-B-3226	-	3866-J-816	A3111-R-1526
	RH	A1-3111-V-1530	A3933-J-322	-	2910-R-18	3866-J-816	A3111-R-1526
2-K9	LH	A1-3111-U-1529	-	3286-Q-589	-	3866-J-816	A3111-R-1526
	RH	A1-3111-V-1530	A3933-J-322	-	2910-R-18	3866-J-816	A3111-R-1526
2-K10	LH	A1-3111-U-1529	A3933-J-322	-	2910-R-18	3866-J-816	A3111-R-1526
	RH	A1-3111-V-1530	-	3286-Q-589	-	3866-J-816	A3111-R-1526
2-K11	LH	A1-3111-U-1529	A3933-J-322	-	-	3866-J-816	A3111-R-1526
	RH	A1-3111-V-1530	-	3286-Q-589	-	3866-J-816	A3111-R-1526
2-K12	LH	A1-3111-U-1529	A3933-A-417	-	-	3866-J-816	A3111-R-1526
	RH	A1-3111-V-1530	A3933-A-417	-	-	3866-J-816	A3111-R-1526
2-K13	LH	A2-3111-W-1687	A3133-M-4667	-	-	3866-J-816	A3111-R-1526
	RH	A2-3111-X-1688	A3133-M-4667	-	-	3866-J-816	A3111-R-1526
2-K14	LH	A3-3111-W-1687	A3133-X-4054	-	2910-G-33 (2)	3866-J-816	A3111-R-1526
	RH	A3-3111-X-1688	-	3266-Q-589	-	3866-J-816	A3111-R-1526
2-K15	LH	A3-3111-W-1687	A3133-M-4667	-	-	3866-J-816	A3111-R-1526
	RH	A3-3111-X-1688	A3133-M-4667	-	-	3866-J-816	A3111-R-1526
2-K16	LH	A3-3111-W-1687	A3133-M-4667	-	-	3866-J-816	A3111-R-1526
	RH	A3-3111-X-1688	-	3266-Q-589	-	3866-J-816	A3111-R-1526
2-K17	LH	A3-3111-W-1687	A3133-Q-5087	-	-	3866-J-816	A3111-R-1526
	RH	A3-3111-X-1688	A3133-P-5086 (2)	-	-	3866-J-816	A3111-R-1526
2-K18	LH	A1-3111-C-2395	A3133-G-5623	-	2110-H-216	3866-J-816	A3111-R-1526
	RH	A1-3111-B-2394	-	3266-Q-589	-	3866-J-816	A3111-R-1526

2

(2) No longer available with no replacement.

DRUM BRAKES AND RELATED PARTS

FDS-1600

Ref	LH/ RH	Brake Assembly (25, Fig 2)	Adapter/ Slinger (29, Fig 2)	Wheel/ Hub (4, 21, Fig 2)	Brake Drum (5, Fig 2)	Flange (13, Fig 2)	Hub Cap (10, Fig 2)
2-B1	LH	RSA-17205-9	3286-C-263	A1-311-H-398 (10)	-	3270-E-83	3262-F-162
	RH	RSA-17205-9	3286-C-263	A1-311-H-398 (10)	-	3270-E-83	3262-F-162
2-B2	LH	RSA-17205-3	3286-C-263	A-333-P-2226	3219-V-3766	3270-E-83	3262-F-162
	RH	RSA-17205-3	3286-C-263	A-333-P-2226	3219-V-3766	3270-E-83	3262-F-162
2-B3	LH	RSA-17205-8	3286-C-263	A-333-P-2226	3219-V-3766	3270-E-83	3262-F-162
	RH	RSA-17205-8	3286-C-263	A-333-P-2226	3219-V-3766	3270-E-83	3262-F-162
2-B4	LH	RSA-17205-9	3286-C-263	A-333-P-2226	3219-V-3766	3270-E-83	3262-F-162
	RH	RSA-17205-9	3286-C-263	A-333-P-2226	3219-V-3766	3270-E-83	3262-F-162

(10) Wheel/drum assembly A1-311-H-398 includes brake drum.

WHEEL SEALS AND BEARINGS

FDS-1600

Ref	Inner Bearing Cup (22, Fig 2)	Inner Bearing Cone (23, Fig 2)	Outer Bearing Cup (20, Fig 2)	Outer Bearing Cone (19, Fig 2)	Oil Seal (24, Fig 2)
2-G1	64700	64450	HM-218210	HM-218248	A1205-G-995

CARRIERS

FDS-1600

Axle Model Number	Carrier Assembly (Less Yoke)	Axle Model Number	Carrier Assembly (Less Yoke)
FDS-1600-SAX-60	A81-3200-X-830	FDS-1600-SAX-149	A81-3200-X-830
FDS-1600-SAX-61	A81-3200-X-830	FDS-1600-SAX-154	A23-3200-X-830
FDS-1600-SAX-63	A81-3200-X-830	FDS-1600-SAX-155	A81-3200-X-830
FDS-1600-SAX-65	A81-3200-X-830	FDS-1600-SAX-162	A81-3200-X-830
FDS-1600-SAX-76	A81-3200-X-830	FDS-1600-SAX-163	A81-3200-X-830
FDS-1600-SAX-78	B26-3200-Z-780	FDS-1600-SAX-164	A81-3200-X-830
FDS-1600-SAX-85	A43-3200-X-830	FDS-1600-SAX-167	A81-3200-X-830
FDS-1600-SAX-91	A43-3200-X-830	FDS-1600-SAX-169	C17-3200-Z-780
FDS-1600-SAX-102	A81-3200-X-830	FDS-1600-SAX-174	A23-3200-X-830
FDS-1600-SAX-114	A81-3200-X-830	FDS-1600-SAX-180	A81-3200-X-830
FDS-1600-SAX-115	A81-3200-X-830	FDS-1600-SAX-183	A23-3200-X-830
FDS-1600-SAX-124	B26-3200-Z-780	FDS-1600-SAX-184	A85-3200-X-830
FDS-1600-SAX-135	A81-3200-X-830	FDS-1600-SAX-185	A81-3200-X-830
FDS-1600-SAX-139	A85-3200-X-830	FDS-1600-SAX-188	A81-3200-X-830
FDS-1600-SAX-140	A81-3200-X-830	FDS-1600-SAX-195	A81-3200-X-830
FDS-1600-SAX-141	A81-3200-X-830	FDS-1600-SAX-201	A85-3200-X-830
FDS-1600-SAX-146	A81-3200-X-830	FDS-1600-SAX-215	A81-3200-X-830

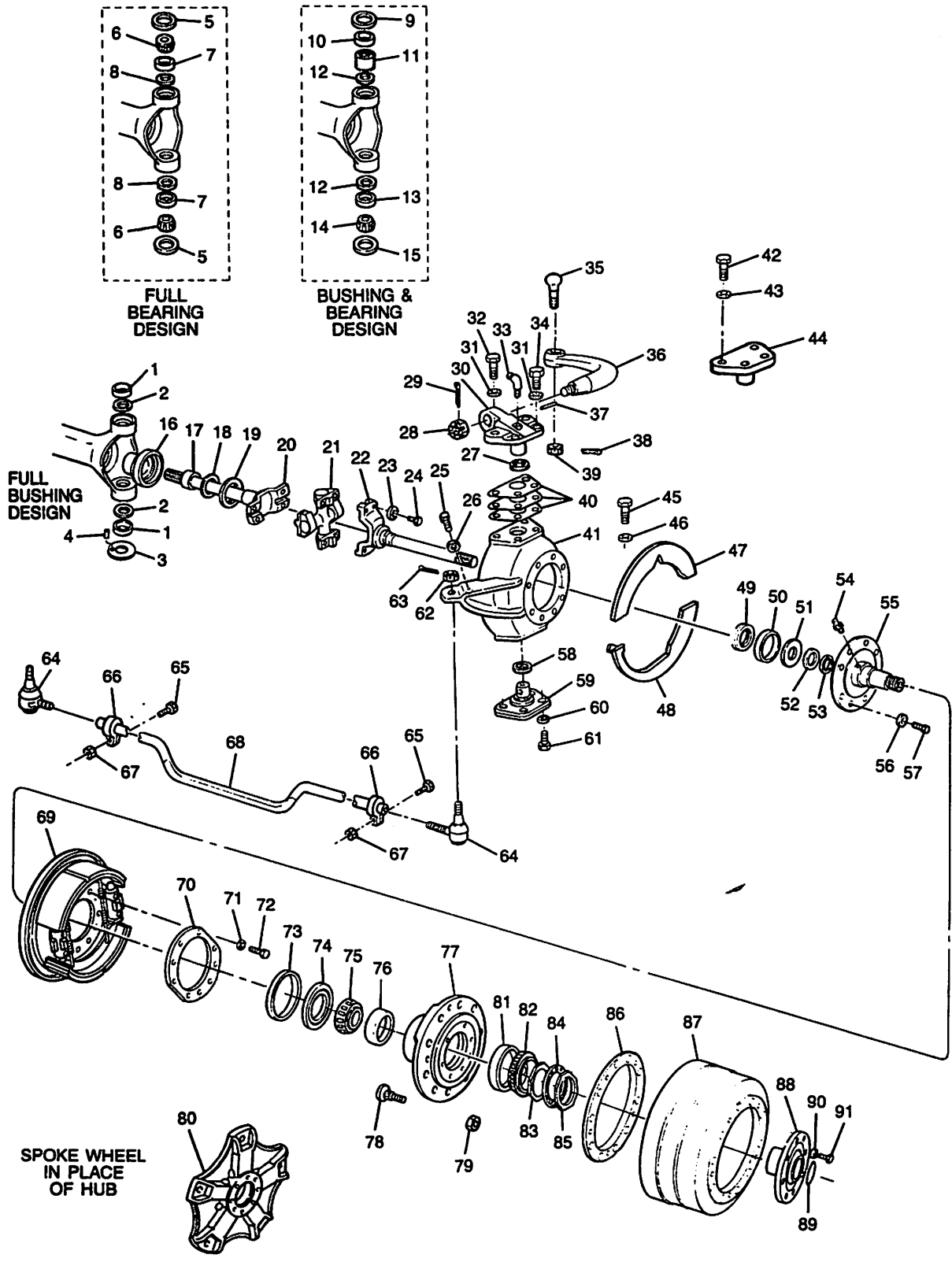


Figure 3 - FDS-1800 Series and FDS-2100 Series

FIGURE 3
FDS-1800 and FDS-2100 SERIES

Item	Description	Part Number	Comments
1	Bushing	1225-L-974	
2	Expansion Plug	1250-B-470	
3	Thrustwasher	1229-E-2995	
4	Pin	1246-D-654	
5	Grease Seal	A-1205-X-1116	
6	Bearing Cone	HM-804840	
7	Bearing Cup	HM-804810	
8	Expansion Plug	1250-U-333	
9	Grease Seal	A-1205-X-1116	
10	Adapter	2245-Q-43	
11	Bushing	A-1225-F-968	
12	Expansion Plug	1250-U-333	
13	Bearing Cup	HM-804810	
14	Bearing Cone	HM-804840	
15	Grease Seal	A-1205-X-1116	
16	Adapter	3268-F-1124	
17	Bushing	1825-X-310	
18	Thrustwasher	1229-A-4551	
19	Oil Seal	A-1205-A-1535	
20	Shaft/Yoke - Carrier Side	See Page 31	
21	Cross/U-Joint	See Page 31	
22	Shaft/Yoke - Wheel Side	See Page 31	
23	Washer	Not sold separately	Included with Item 21
24	Capscrew	Not sold separately	Included with Item 21
25	Stopscrew	26-X-243	
26	Stopscrew Jam Nut	N-312-1	
27	Grease Seal	1205-A-1743	
28	Nut	1227-J-1544	
29	Cotter Pin	K-2618	
30	Upper Adapter	See Pages 31-35	
31	Washer	1229-Y-1559	
32	Capscrew - Long	10-X-1113	
33	Grease Fitting	1199-B-3226	
34	Capscrew - Short	10-X-1112	
35	Steering Arm Ball	See Pages 31-35	
36	Steering Arm	See Pages 31-35	
37	Key	16-X-202	
38	Cotter Pin	K-2618	
39	Nut	N-214-1	
40	Shims	2203-K-8019	4.56" O.D., .003" Thickness
		2203-L-8020	4.56" O.D., .005" Thickness
		2203-M-8021	4.56" O.D., .010" Thickness
		2203-E-7025	3.69" O.D., .003" Thickness
		2203-F-7026	3.69" O.D., .005" Thickness
		2203-G-7027	3.69" O.D., .010" Thickness
41	Knuckle	See Pages 31-35	
42	Capscrew	10-X-1112	
43	Washer	1229-Y-1559	

FDS-1800 and FDS-2100 SERIES (Continued)

Item	Description	Part Number	Comments
44	Upper Cap	See Pages 31-35	
45	Capscrew	S-265-2	
46	Washer	1229-B-1666	
47	Upper Dust Shield	A1-3236-D-2032	LH Upper
		A-3236-D-2032	RH Upper
48	Lower Dust Shield	A1-3236-C-2031	LH Lower
		A-3236-C-2031	RH Lower
49	Oil Seal	A-1205-Z-1534	
50	Sleeve	3280-S-6649	
51	Washer	1229-M-2561	Use on full bearing design and bushing & bearing design
		1229-H-2920	Use on full bushing design
52	Retainer	1205-C-1537	
53	Felt	5-X-841	
54	Grease Fitting	1199-T-2854	
55	Spindle Assembly	See Pages 31-35	
56	Washer	1229-V-1556	
57	Capscrew	10-X-1594	
58	Grease Seal	1205-A-1743	
59	Lower Cap	See Pages 31-35	
60	Washer	1229-V-1556	
61	Capscrew	S-21218-2	
62	Nut (Included with Item 64)	N-512-1	3/4"-16 Thd., 1.125" across flats
		N-214-1	7/8"-14 Thd., 1.312" across flats
63	Cotter Pin (Included with Item 64)	K-2614	1.75" Length
		K-2616	2" Length
64	Tie Rod End	See Page 31	
65	Capscrew	See Page 31	
66	Clamp	See Page 31	
67	Nut	See Page 31	
68	Cross Tube	See Page 31	
69	Brake Assembly	See Pages 35-38	
70	Oil Slinger	See Pages 35-38	
71	Washer	1229-W-1557	
72	Capscrew	S-21018-1	
73	Sleeve	1199-T-3166	
74	Oil Seal	See Page 38	
75	Inner Bearing Cone	See Page 38	
76	Inner Bearing Cup	See Page 38	
77	Hub	See Pages 35-38	
78	Wheel Stud	20-X-1563	LH, 1-1/8"-16 x 2.66"
		20-X-1564	RH, 1-1/8"-16 x 2.66"
		20-X-1839	LH, 1-1/8"-16 x 3.50"
		20-X-1840	RH, 1-1/8"-16 x 3.50"
		20-X-1423	LH, 1-5/16"-12 x 4.00"
		20-X-1422	RH, 1-5/16"-12 x 4.00"
		20-X-2005	LH, 1-5/16"-12 x 4.875"
		20-X-2006	RH, 1-5/16"-12 x 4.875"
79	Nut	1199-M-117	LH, 1-1/8"-16
		1199-N-118	RH, 1-1/8"-16
		1199-Y-1351	LH, 1-5/16"-12
		1199-X-1350	RH, 1-5/16"-12

FDS-1800 and FDS-2100 SERIES (Continued)

Item	Description	Part Number	Comments
80	Wheel Assembly	See Pages 35-38	
81	Outer Bearing Cup	See Page 38	
82	Outer Bearing Cone	See Page 38	
83	Nut	1227-D-1018	
84	Lockwasher	1229-L-2560	
85	Nut	1227-K-1025	
86	Wheel Spacer	See Pages 35-38	
87	Brake Drum	See Pages 35-38	
88	Flange	See Pages 35-38	
89	Expansion Plug	PW-243	
90	Washer	1229-U-1503	
91	Capscrew	15-X-1594	

AXLE MODEL REFERENCE CHARTS

FDS-1805

Axle Model Number FDS-1805-	Shaft/ Yoke/Joint Assembly Pg 31	Cross Tube Assembly Pg 31	Knuckle and Related Parts Pg 31-35	Brake and Related Parts Pg 35-38	Wheel End Bearings and Seals Pg 38
NX-7	3-J1	3-U1	3-K8	3-B7	3-G1
NX-10	3-J1	3-U1	3-K8	3-B22	3-G1
NX-12	3-J2	3-U2	3-K15	3-B22	3-G1
NX-14	3-J2	3-U2	3-K15	3-B22	3-G1
NX-15	3-J1	3-U1	3-K9	3-B22	3-G1
NX-16	3-J1	3-U1	3-K39	3-B34	3-G1
NX-20	3-J1	3-U1	3-K38	3-B22	3-G1
RDH-16	3-J1	3-U1	3-K17	3-B3	3-G1
RDH-19	3-J1	3-U1	3-K17	3-B3	3-G1
RSA-16	3-J1	3-U1	3-K17	3-B4	3-G1
RSA-20	3-J1	3-U1	3-K19	3-B4	3-G1
RSA-29	3-J1	3-U1	3-K8	3-B6	3-G1
RSA-31	3-J1	3-U1	3-K19	3-B4	3-G1
RSA-32	3-J1	3-U1	3-K5	3-B4	3-G1
RSA-33	3-J1	3-U1	3-K5	3-B4	3-G1
RSA-35	3-J1	3-U1	3-K13	3-B5	3-G1
RSA-38	3-J1	3-U1	3-K5	3-B12	3-G1
RSA-40	3-J1	3-U1	3-K8	3-B9	3-G1
RSA-43	3-J1	3-U1	3-K17	3-B11	3-G1
RSA-44	3-J1	3-U1	3-K13	3-B12	3-G1
RSA-52	3-J1	3-U1	3-K17	3-B12	3-G1
RSA-54	3-J1	3-U1	3-K9	3-B19	3-G1
RSA-60	3-J1	3-U1	3-K5	3-B12	3-G1
RSA-61	3-J1	3-U1	3-K13	3-B12	3-G1
RSA-63	3-J1	3-U1	3-K17	3-B12	3-G1
RSA-64	3-J1	3-U1	3-K9	3-B19	3-G1
RSA-67	3-J1	3-U1	3-K6	3-B12	3-G1
RSA-69	3-J1	3-U1	3-K9	3-B31	3-G1
RSA-70	3-J1	3-U1	3-K17	3-B13	3-G1
RSA-73	3-J1	3-U1	3-K5	3-B12	3-G1
RSA-74	3-J1	3-U1	3-K3	3-B16	3-G1
RSA-75	3-J1	3-U1	3-K14	3-B27	3-G1
RSA-77	3-J1	3-U1	3-K16	3-B17	3-G1
RSA-87	3-J1	3-U1	3-K39	3-B31	3-G1
RSA-89	3-J1	3-U1	3-K47	3-B12	3-G1
RSA-90	3-J1	3-U1	3-K40	3-B12	3-G1
RSA-91	3-J1	3-U1	3-K49	3-B14	3-G1
RSA-93	3-J1	3-U1	3-K31	3-B12	3-G1
RSA-95	3-J1	3-U1	3-K39	3-B31	3-G1
RSA-96	3-J1	3-U1	3-K41	3-B12	3-G1
RSA-97	3-J1	3-U1	3-K31	3-B12	3-G1
RSA-99	3-J1	3-U1	3-K50	3-B12	3-G1
RSA-100	3-J1	3-U1	3-K49	3-B17	3-G1
RSA-101	3-J1	3-U1	3-K49	3-B17	3-G1
RSA-103	3-J1	3-U1	3-K41	3-B16	3-G1
RSA-106	3-J1	3-U1	3-K39	3-B19	3-G1
RSA-108	3-J1	3-U1	3-K29	3-B16	3-G1

AXLE MODEL REFERENCE CHARTS

FDS-1805 (Continued)

Axle Model Number FDS-1805-	Shaft/ Yoke/Joint Assembly Pg 31	Cross Tube Assembly Pg 31	Knuckle and Related Parts Pg 31-35	Brake and Related Parts Pg 35-38	Wheel End Bearings and Seals Pg 38
RSA-109	3-J1	3-U1	3-K28	3-B17	3-G1
RSA-110	3-J1	3-U1	3-K50	3-B16	3-G1
RSA-112	3-J1	3-U1	3-K31	3-B16	3-G1
RSA-115	3-J1	3-U1	3-K21	3-B19	3-G1
RSA-117	3-J1	3-U1	3-K41	3-B16	3-G1
RSA-121	3-J1	3-U1	3-K24	3-B19	3-G1
RSA-126	3-J1	3-U1	3-K51	3-B36	3-G1
RSA-128	3-J1	3-U1	3-K52	3-B36	3-G1
RSA-129	3-J1	3-U1	3-K53	3-B37	3-G1
RSA-134	3-J1	3-U1	3-K54	3-B38	3-G1

3

FDS-1807

Axle Model Number FDS-1807-	Shaft/ Yoke/Joint Assembly Pg 31	Cross Tube Assembly Pg 31	Knuckle and Related Parts Pg 31-35	Brake and Related Parts Pg 35-38	Wheel End Bearings and Seals Pg 38
RDH-3	3-J1	3-U1	3-K12	3-B3	3-G1
RSA-7	3-J1	3-U1	3-K13	3-B5	3-G1
RSA-8	3-J1	3-U1	3-K12	3-B5	3-G1
RSA-15	3-J1	3-U1	3-K13	3-B12	3-G1
RSA-29	3-J1	3-U1	3-K12	3-B16	3-G1
RSA-30	3-J1	3-U1	3-K13	3-B12	3-G1
RSA-32	3-J1	3-U1	3-K7	3-B12	3-G1
RSA-37	3-J1	3-U1	3-K13	3-B23	3-G1
RSA-38	3-J1	3-U1	3-K5	3-B12	3-G1
RSA-44	3-J1	3-U1	3-K46	3-B17	3-G1
RSA-45	3-J1	3-U1	3-K40	3-B12	3-G1
RSA-46	3-J1	3-U1	3-K31	3-B16	3-G1
RSA-48	3-J1	3-U1	3-K45	3-B12	3-G1
RSA-49	3-J1	3-U1	3-K41	3-B16	3-G1
RSA-50	3-J1	3-U1	3-K35	3-B26	3-G1
RSA-51	3-J1	3-U1	3-K41	3-B28	3-G1
RSA-53	3-J1	3-U1	3-K21	3-B19	3-G1
RSA-55	3-J1	3-U1	3-K31	3-B16	3-G1
RSA-56	3-J1	3-U1	3-K39	3-B17	3-G1
RSA-57	3-J1	3-U1	3-K44	3-B19	3-G1
RSA-58	3-J1	3-U1	3-K34	3-B16	3-G1
RSA-59	3-J1	3-U1	3-K41	3-B16	3-G1
RSA-60	3-J1	3-U1	3-K45	3-B16	3-G1
RSA-61	3-J1	3-U1	3-K44	3-B19	3-G1
RSA-63	3-J1	3-U1	3-K25	3-B16	3-G1
RSA-64	3-J1	3-U1	3-K36	3-B28	3-G1
RSA-68	3-J1	3-U1	3-K23	3-B19	3-G1
RSA-69	3-J1	3-U1	3-K35	3-B40	3-G1
RSA-76	3-J1	3-U1	3-K55	3-B39	3-G1
RSA-77	3-J1	3-U1	3-K56	3-B38	3-G1
RSA-81	3-J1	3-U1	3-K57	3-B41	3-G1

AXLE MODEL REFERENCE CHARTS

FDS-1807 (Continued)

Axle Model Number FDS-1807-	Shaft/ Yoke/Joint Assembly Pg 31	Cross Tube Assembly Pg 31	Knuckle and Related Parts Pg 31-35	Brake and Related Parts Pg 35-38	Wheel End Bearings and Seals Pg 38
RSA-89	3-J1	3-U1	3-K58	3-B36	3-G1
RSA-90	3-J1	3-U1	3-K56	3-B38	3-G1
RSA-91	3-J1	3-U1	3-K56	3-B37	3-G1

FDS-1808

Axle Model Number FDS-1808-	Shaft/ Yoke/Joint Assembly Pg 31	Cross Tube Assembly Pg 31	Knuckle and Related Parts Pg 31-35	Brake and Related Parts Pg 35-38	Wheel End Bearings and Seals Pg 38
RSA-10	3-J1	3-U1	3-K19	3-B5	3-G1
RSA-11	3-J1	3-U1	3-K11	3-B2	3-G1
RSA-12	3-J1	3-U1	3-K18	3-B4	3-G1
RSA-14	3-J1	3-U1	3-K3	3-B4	3-G1
RSA-15	3-J1	3-U1	3-K19	3-B4	3-G1
RSA-16	3-J1	3-U1	3-K7	3-B4	3-G1
RSA-18	3-J1	3-U1	3-K19	3-B4	3-G1
RSA-19	3-J1	3-U1	3-K1	3-B1	3-G1
RSA-21	3-J1	3-U1	3-K11	3-B9	3-G1
RSA-22	3-J1	3-U1	3-K7	3-B19	3-G1
RSA-24	3-J1	3-U1	3-K3	3-B9	3-G1
RSA-25	3-J1	3-U1	3-K19	3-B19	3-G1
RSA-26	3-J1	3-U1	3-K7	3-B9	3-G1
RSA-27	3-J1	3-U1	3-K19	3-B19	3-G1
RSA-30	3-J1	3-U1	3-K6	3-B12	3-G1
RSA-31	3-J1	3-U1	3-K7	3-B9	3-G1
RSA-32 (11)	3-J1	3-U1	3-K13	3-B12	3-G1
RSA-32 (12)	3-J1	3-U1	3-K10	3-B31	3-G1
RSA-33	3-J1	3-U1	3-K13	3-B12	3-G1
RSA-34	3-J1	3-U1	3-K7	3-B12	3-G1
RSA-35	3-J1	3-U1	3-K11	3-B14	3-G1
RSA-36	3-J1	3-U1	3-K11	3-B8	3-G1
RSA-38	3-J1	3-U1	3-K5	3-B12	3-G1
RSA-41	3-J1	3-U1	3-K7	3-B12	3-G1
RSA-42	3-J1	3-U1	3-K4	3-B12	3-G1
RSA-46	3-J1	3-U1	3-K6	3-B19	3-G1
RSA-47	3-J1	3-U1	3-K6	3-B12	3-G1
RSA-49	3-J1	3-U1	3-K5	3-B12	3-G1
RSA-50	3-J1	3-U1	3-K4	3-B12	3-G1
RSA-51	3-J1	3-U1	3-K7	3-B19	3-G1
RSA-52	3-J1	3-U1	3-K3	3-B19	3-G1
RSA-53	3-J1	3-U1	3-K19	3-B19	3-G1
RSA-54	3-J1	3-U1	3-K19	3-B19	3-G1
RSA-55	3-J1	3-U1	3-K13	3-B12	3-G1
RSA-56	3-J1	3-U1	3-K11	3-B14	3-G1
RSA-61	3-J1	3-U1	3-K9	3-B27	3-G1
RSA-62	3-J1	3-U1	3-K19	3-B19	3-G1

(11) For 6.17 axle ratio.

(12) For 7.40 axle ratio

AXLE MODEL REFERENCE CHARTS

FDS-1808 (Continued)

Axle Model Number FDS-1808-	Shaft/ Yoke/Joint Assembly Pg 31	Cross Tube Assembly Pg 31	Knuckle and Related Parts Pg 31-35	Brake and Related Parts Pg 35-38	Wheel End Bearings and Seals Pg 38
RSA-66	3-J1	3-U1	3-K5	3-B12	3-G1
RSA-70	3-J1	3-U1	3-K17	3-B12	3-G1
RSA-76	3-J1	3-U1	3-K6	3-B14	3-G1
RSA-83	3-J1	3-U1	3-K39	3-B27	3-G1
RSA-84	3-J1	3-U1	3-K21	3-B19	3-G1
RSA-85	3-J1	3-U1	3-K21	3-B19	3-G1
RSA-86	3-J1	3-U1	3-K47	3-B12	3-G1
RSA-88	3-J1	3-U1	3-K40	3-B12	3-G1
RSA-92	3-J1	3-U1	3-K27	3-B19	3-G1
RSA-94	3-J1	3-U1	3-K37	3-B29	3-G1
RSA-96	3-J1	3-U1	3-K27	3-B19	3-G1
RSA-97	3-J1	3-U1	3-K32	3-B23	3-G1
RSA-100	3-J1	3-U1	3-K32	3-B23	3-G1
RSA-101	3-J1	3-U1	3-K39	3-B31	3-G1
RSA-105	3-J1	3-U1	3-K21	3-B19	3-G1
RSA-106	3-J1	3-U1	3-K21	3-B19	3-G1
RSA-107	3-J1	3-U1	3-K50	3-B12	3-G1
RSA-108	3-J1	3-U1	3-K41	3-B12	3-G1
RSA-120	3-J1	3-U1	3-K21	3-B19	3-G1
RSA-121	3-J1	3-U1	3-K21	3-B19	3-G1
RSA-122	3-J1	3-U1	3-K37	3-B30	3-G1
RSA-124	3-J1	3-U1	3-K41	3-B16	3-G1
RSA-131	3-J1	3-U1	3-K21	3-B19	3-G1
RSA-132	3-J1	3-U1	3-K41	3-B16	3-G1
RSA-133	3-J1	3-U1	3-K21	3-B19	3-G1
RSA-137	3-J1	3-U1	3-K21	3-B17	3-G1
RSA-138	3-J1	3-U1	3-K39	3-B31	3-G1
RSA-139	3-J1	3-U1	3-K48	3-B18	3-G1
RSA-140	3-J1	3-U1	3-K48	3-B17	3-G1
RSA-146	3-J1	3-U1	3-K44	3-B29	3-G1
RSA-147	3-J1	3-U1	3-K39	3-B27	3-G1
RSA-152	3-J1	3-U1	3-K27	3-B19	3-G1
RSA-153	3-J1	3-U1	3-K23	3-B19	3-G1

3

FDS-2100

Axle Model Number FDS-2100-	Shaft/ Yoke/Joint Assembly Pg 31	Cross Tube Assembly Pg 31	Knuckle and Related Parts Pg 31-35	Brake and Related Parts Pg 35-38	Wheel End Bearings and Seals Pg 38
RSA-13	3-J1	3-U1	3-K2	3-B12	3-G1
RSA-14	3-J1	3-U1	3-K20	3-B23	3-G1
RSA-16	3-J1	3-U1	3-K22	3-B28	3-G1
RSA-18	3-J1	3-U1	3-K39	3-B32	3-G1
RSA-21	3-J1	3-U1	3-K22	3-B23	3-G1
RSA-23	3-J1	3-U1	3-K42	3-B15	3-G1
RSA-29	3-J1	3-U1	3-K25	3-B24	3-G1
RSA-32	3-J1	3-U1	3-K25	3-B28	3-G1

AXLE MODEL REFERENCE CHARTS

FDS-2100 (Continued)

Axle Model Number FDS-2100-	Shaft/ Yoke/Joint Assembly Pg 31	Cross Tube Assembly Pg 31	Knuckle and Related Parts Pg 31-35	Brake and Related Parts Pg 35-38	Wheel End Bearings and Seals Pg 38
RSA-33	3-J1	3-U1	3-K22	3-B28	3-G1
RSA-35	3-J1	3-U1	3-K22	3-B28	3-G1
RSA-36	3-J1	3-U1	3-K25	3-B28	3-G1
RSA-39	3-J1	3-U1	3-K39	3-B32	3-G1
RSA-40	3-J1	3-U1	3-K30	3-B24	3-G1
RSA-42	3-J1	3-U1	3-K26	3-B24	3-G1
RSA-43	3-J1	3-U1	3-K43	3-B24	3-G1
RSA-44	3-J1	3-U1	3-K34	3-B29	3-G1
RSA-51	3-J1	3-U1	3-K59	3-B37	3-G1

FDS-2101

Axle Model Number FDS-2101-	Shaft/ Yoke/Joint Assembly Pg 31	Cross Tube Assembly Pg 31	Knuckle and Related Parts Pg 31-35	Brake and Related Parts Pg 35-38	Wheel End Bearings and Seals Pg 38
RSA-9	3-J1	3-U1	3-K34	3-B35	3-G1
RSA-14	3-J1	3-U1	3-K32	3-B24	3-G1
RSA-21	3-J1	3-U1	3-K48	3-B27	3-G1
RSA-32	3-J1	3-U1	3-K58	3-B37	3-G1
RSA-35	3-J1	3-U1	3-K55	3-B36	3-G1

FDS-2102

Axle Model Number FDS-2102-	Shaft/ Yoke/Joint Assembly Pg 31	Cross Tube Assembly Pg 31	Knuckle and Related Parts Pg 31-35	Brake and Related Parts Pg 35-38	Wheel End Bearings and Seals Pg 38
NX-2	3-J1	3-U1	3-K39	3-B20	3-G1
RSA-7	3-J1	3-U1	3-K33	3-B23	3-G1
RSA-8	3-J1	3-U1	3-K9	3-B31	3-G1
RSA-9	3-J1	3-U1	3-K39	3-B31	3-G1
RSA-10	3-J1	3-U1	3-K39	3-B31	3-G1
RSA-15	3-J1	3-U1	3-K39	3-B42	3-G1
RSA-17	3-J1	3-U1	3-K30	3-B25	3-G1
RSA-19	3-J1	3-U1	3-K39	3-B33	3-G1
RSA-20	3-J1	3-U1	3-K39	3-B21	3-G1
RSA-24	3-J1	3-U1	3-K60	3-B43	3-G1
RSA-25	3-J1	3-U1	3-K60	3-B44	3-G1

SHAFT/YOKE/JOINT ASSEMBLIES

FDS-1800 Series and FDS-2100 Series

Ref	LH/ RH	Shaft/Yoke/Joint Assembly (20-24 Fig 3)	Shaft/Yoke - Carrier Side (20, Fig 3)	Shaft/Yoke - Wheel Side (22, Fig 3)	Cross/U-Joint (21, Fig 3)
3-J1	LH/RH	A2-3202-F-9834S	92NYSM38-79	92NYSM38-78	CP92N-DWT
3-J2	LH RH	A4-3202-F-9834 A3-3202-F-9834S	92NYSM38-81 92NYSM38-80	92NYSM38-78	CP92N-DWT

CROSS TUBE ASSEMBLIES

FDS-1800 Series and FDS-2100 Series

3

Ref	Cross Tube Assembly (64-68, Fig 3)	Tie Rod End LH or RH (64, Fig 3)	Tie Rod End LH or RH (64, Fig 3)	Cross Tube with Clamps (65-68, Fig 3)	Cross Tube (13) (68, Fig 3)
3-U1	A1-3102-D-4424	A3144-B-1068	A3144-X-1090	A3102-D-4424	3102-D-4424
3-U2	A1-3102-A-4213	-	A1-3144-F-370	A3102-A-4213	3102-A-4213

(13) Not sold separately.

KNUCKLES AND RELATED PARTS

FDS-1800 Series and FDS-2100 Series

Ref	LH/ RH	Knuckle (41, Fig 3)	Steering Arm (36, Fig 3)	Upper Adapter/Cap (30, 44, Fig 3)	Steering Arm Ball (35, Fig 3)	Lower Cap (59, Fig 3)	Spindle Assembly (55, Fig 3)
3-K1	LH RH	3111-K-2325 3111-L-2326	3133-N-6488K 3133-R-7324K	3280-D-4840 3280-E-4841	2110-A-209 2110-V-100	3262-K-349 3262-K-349	A3213-Q-693 A3213-Q-693
3-K2	LH RH	3111-K-2325 3111-L-2326	3133-M-6903K 3133-C-6919K	3280-E-4841 3280-D-4840	- -	3262-K-349 3262-K-349	A3213-Q-693 A3213-Q-693
3-K3	LH RH	3111-K-2325 3111-L-2326	3133-A-6787K 3133-T-6936K (14)	3280-E-4841 3280-D-4840	2110-A-209 2110-A-209	3262-K-349 3262-K-349	A3213-Q-693 A3213-Q-693

(14) Use 3133-T-6936K for all applications except front mounted RF and FDS use 3133-Z-7592K.

KNUCKLES AND RELATED PARTS (Continued)

FDS-1800 Series and FDS-2100 Series

Ref	LH/ RH	Knuckle (41, Fig 3)	Steering Arm (36, Fig 3)	Upper Adapter/Cap (30, 44, Fig 3)	Steering Arm Ball (35, Fig 3)	Lower Cap (59, Fig 3)	Spindle Assembly (55, Fig 3)
3-K4	LH	3111-K-2325	3133-A-6787K	3280-E-4841	-	3262-K-349	A3213-Q-693
	RH	3111-L-2326	3133-T-6936K (14)	3280-D-4840	-	3262-K-349	A3213-Q-693
3-K5	LH	3111-K-2325	3133-A-6787K	3280-E-4841	-	3262-K-349	A3213-Q-693
	RH	3111-L-2326	-	3262-P-354 (2)	-	3262-K-349	A3213-Q-693
3-K6	LH	3111-K-2325	3133-T-6936K (14)	3280-D-4840	2110-A-209	3262-K-349	A3213-Q-693
	RH	3111-L-2326	3133-A-6787K	3280-E-4841	2110-A-209	3262-K-349	A3213-Q-693
3-K7	LH	3111-K-2325	3133-T-6936K (14)	3280-D-4840	2110-A-209	3262-K-349	A3213-Q-693
	RH	3111-L-2326	-	3262-P-354 (2)	-	3262-K-349	A3213-Q-693
3-K8	LH	3111-K-2325	3133-C-5047K	3280-E-4841	-	3262-K-349	A3213-Q-693
	RH	3111-L-2326	3133-C-5047K	3280-E-4841	-	3262-K-349	A3213-Q-693
3-K9	LH	3111-K-2325	3133-E-5049K (2)	3280-D-4840	-	3262-K-349	A3213-Q-693
	RH	3111-L-2326	3133-C-5047K	3280-E-4841	-	3262-K-349	A3213-Q-693
3-K10	LH	3111-K-2325	3133-E-5049K (2)	3280-E-4841	-	3262-K-349	A3213-Q-693
	RH	3111-L-2326	3133-C-5047K	3280-D-4840	-	3262-K-349	A3213-Q-693
3-K11	LH	3111-K-2325	3133-B-6788K	3280-D-4840	2110-A-209	3262-K-349	A3213-Q-693
	RH	3111-L-2326	3133-R-6934	3280-E-4841	2110-A-209	3262-K-349	A3213-Q-693
3-K12	LH	3111-K-2325	3133-B-6788K	3280-D-4840	-	3262-K-349	A3213-Q-693
	RH	3111-L-2326	-	3262-P-354 (2)	-	3262-K-349	A3213-Q-693
3-K13	LH	3111-K-2325	3133-R-6934	3280-E-4841	-	3262-K-349	A3213-Q-693
	RH	3111-L-2326	3133-R-6934	3280-E-4841	-	3262-K-349	A3213-Q-693
3-K14	LH	3111-K-2325	3133-D-5282 (15)	3280-E-4841	2110-A-209	3262-K-349	A3213-Q-693
	RH	3111-L-2326	3133-D-5282 (15)	3280-E-4841	2110-A-209	3262-K-349	A3213-Q-693
3-K15	LH	3111-K-2325	3133-K-5341	3280-E-4841	-	3262-K-349	A3213-Q-693
	RH	3111-L-2326	3133-K-5341	3280-E-4841	-	3262-K-349	A3213-Q-693
3-K16	LH	3111-K-2325	-	3280-D-4840	-	3262-K-349	A3213-Q-693
	RH	3111-L-2326	-	3280-D-4840	-	3262-K-349	A3213-Q-693
3-K17	LH	3111-K-2325	-	3280-D-4840	-	3262-K-349	A3213-Q-693
	RH	3111-L-2326	-	3280-E-4841	-	3262-K-349	A3213-Q-693
3-K18	LH	3111-K-2325	3133-T-6936K (14)	3280-D-4840	2110-A-209	3262-K-349	A3213-Q-693
	RH	3111-L-2326	-	3262-P-354 (2)	-	3262-K-349	A3213-Q-693
3-K19	LH	3111-Q-2331	3133-A-6787K	3280-E-4841	2110-A-209	3262-K-349	A3213-Q-693
	RH	3111-R-2332	-	3262-P-354 (2)	-	3262-K-349	A3213-Q-693
3-K20	LH	3111-Q-2331	3133-S-6935K	3280-D-4840	-	3262-K-349	A3213-Q-693
	RH	3111-R-2332	-	3262-P-354 (2)	-	3262-K-349	A3213-Q-693

(2) No longer available with no replacement.

(14) Use 3133-T-6936K for all applications except front mounted RF and FDS use 3133-Z-7592K.

(15) For front mount replaced by 3133-U-7639K. For rear mount replaced by 3133-D-7102.

KNUCKLES AND RELATED PARTS (Continued)

FDS-1800 Series and FDS-2100 Series

Ref	LH/ RH	Knuckle (41, Fig 3)	Steering Arm (36, Fig 3)	Upper Adapter/Cap (30, 44, Fig 3)	Steering Arm Ball (35, Fig 3)	Lower Cap (59, Fig 3)	Spindle Assembly (55, Fig 3)
3-K21	LH	3111-A-2471	3133-A-6787K	3268-X-1116	2110-A-209	3262-R-356	A1-3213-Q-693
	RH	3111-B-2472	-	3262-T-358	-	3262-R-356	A1-3213-Q-693
3-K22	LH	3111-A-2471	3133-S-6935K	3262-W-1115	-	3262-R-356	A1-3213-Q-693
	RH	3111-B-2472	-	3262-T-358	-	3262-R-356	A1-3213-Q-693
3-K23	LH	3111-E-2475	3133-Z-4940 (16)	3268-X-1116	-	3262-R-356	A1-3213-Q-693
	RH	3111-F-2476	3133-Z-4940 (16)	3268-X-1116	-	3262-R-356	A1-3213-Q-693
3-K24	LH	3111-E-2475	3133-A-6787K	3268-X-1116	2110-A-209	3262-R-356	A1-3213-Q-693
	RH	3111-F-2476	3133-A-6787K	3268-X-1116	2110-A-209	3262-R-356	A1-3213-Q-693
3-K25	LH	3111-E-2475	3133-A-6787K	3268-W-1115	2110-A-209	3262-R-356	A1-3213-Q-693
	RH	3111-F-2476	3133-T-6936K (14)	3268-X-1116	2110-A-209	3262-R-356	A1-3213-Q-693
3-K26	LH	3111-E-2475	3133-A-6787K	3268-W-1115	-	3262-R-356	A1-3213-Q-693
	RH	3111-F-2476	3133-T-6936K (14)	3268-X-1116	-	3262-R-356	A1-3213-Q-693
3-K27	LH	3111-E-2475	3133-A-6787K	3268-X-1116	2110-A-209	3262-R-356	A1-3213-Q-693
	RH	3111-F-2476	3133-T-6936K (14)	3268-W-1115	2110-A-209	3262-R-356	A1-3213-Q-693
3-K28	LH	3111-E-2475	3133-A-6787K	3268-X-1116	-	3262-R-356	A1-3213-Q-693
	RH	3111-F-2476	3133-T-6936K (14)	3268-W-1115	2110-A-209	3262-R-356	A1-3213-Q-693
3-K29	LH	3111-E-2475	3133-A-6787K	3268-X-1116	-	3262-R-356	A1-3213-Q-693
	RH	3111-F-2476	3133-T-6936K (14)	3268-W-1115	-	3262-R-356	A1-3213-Q-693
3-K30	LH	3111-E-2475	3133-A-6787K	3268-W-1115	-	3262-R-356	A1-3213-Q-693
	RH	3111-F-2476	-	3262-T-358	-	3262-R-356	A1-3213-Q-693
3-K31	LH	3111-E-2475	3133-A-6787K	3268-X-1116	-	3262-R-356	A1-3213-Q-693
	RH	3111-F-2476	-	3262-T-358	-	3262-R-356	A1-3213-Q-693
3-K32	LH	3111-E-2475	3133-T-6936K (14)	3268-W-1115	2110-A-209	3262-R-356	A1-3213-Q-693
	RH	3111-F-2476	3133-A-6787K	3268-X-1116	2110-A-209	3262-R-356	A1-3213-Q-693
3-K33	LH	3111-E-2475	3133-T-6936K (14)	3268-W-1115	2110-A-209	3262-R-356	A1-3213-Q-693
	RH	3111-F-2476	3133-T-6936K (14)	3268-W-1115	2110-A-209	3262-R-356	A1-3213-Q-693
3-K34	LH	3111-E-2475	3133-T-6936K (14)	3268-W-1115	2110-A-209	3262-R-356	A1-3213-Q-693
	RH	3111-F-2476	-	3262-T-358	-	3262-R-356	A1-3213-Q-693
3-K35	LH	3111-E-2475	3133-Y-5043	3268-X-1116	-	3262-R-356	A1-3213-Q-693
	RH	3111-F-2476	3133-Y-5043	3268-X-1116	-	3262-R-356	A1-3213-Q-693
3-K36	LH	3111-E-2475	3133-C-5047K	3268-W-1115	-	3262-R-356	A1-3213-Q-693
	RH	3111-F-2476	3133-C-5047K	3268-W-1115	-	3262-R-356	A1-3213-Q-693
3-K37	LH	3111-E-2475	3133-C-5047K	3268-X-1116	-	3262-R-356	A1-3213-Q-693
	RH	3111-F-2476	3133-C-5047K	3268-X-1116	-	3262-R-356	A1-3213-Q-693

(14) Use 3133-T-6936K for all applications except front mounted RF and FDS use 3133-Z-7592K.

(16) No longer available. Contact Florence Information Services for replacement information (1-888-725-9355).

KNUCKLES AND RELATED PARTS (Continued)

FDS-1800 Series and FDS-2100 Series

Ref	LH/ RH	Knuckle (41, Fig 3)	Steering Arm (36, Fig 3)	Upper Adapter/Cap (30, 44, Fig 3)	Steering Arm Ball (35, Fig 3)	Lower Cap (59, Fig 3)	Spindle Assembly (55, Fig 3)
3-K38	LH	3111-E-2475	3133-E-5049K (2)	3268-W-1115	-	3262-R-356	A3213-Q-693
	RH	3111-F-2476	3133-C-5047K	3268-X-1116	-	3262-R-356	A3213-Q-693
3-K39	LH	3111-E-2475	3133-E-5049K (2)	3268-W-1115	-	3262-R-356	A1-3213-Q-693
	RH	3111-F-2476	3133-C-5047K	3268-X-1116	-	3262-R-356	A1-3213-Q-693
3-K40	LH	3111-E-2475	3133-R-6934	3268-X-1116	-	3262-R-356	A3213-Q-693
	RH	3111-F-2476	3133-R-6934	3268-X-1116	-	3262-R-356	A3213-Q-693
3-K41	LH	3111-E-2475	3133-R-6934	3268-X-1116	-	3262-R-356	A1-3213-Q-693
	RH	3111-F-2476	3133-R-6934	3268-X-1116	-	3262-R-356	A1-3213-Q-693
3-K42	LH	3111-E-2475	3133-E-5153 (2)	3268-X-1116	-	3262-R-356	A1-3213-Q-693
	RH	3111-F-2476	3133-E-5153 (2)	3268-X-1116	-	3262-R-356	A1-3213-Q-693
3-K43	LH	3111-E-2475	3133-S-6935K	3268-W-1115	-	3262-R-356	A1-3213-Q-693
	RH	3111-F-2476	-	3262-T-358	-	3262-R-356	A1-3213-Q-693
3-K44	LH	3111-E-2475	3133-D-5282 (15)	3268-X-1116	-	3262-R-356	A1-3213-Q-693
	RH	3111-F-2476	3133-D-5282 (15)	3268-X-1116	-	3262-R-356	A1-3213-Q-693
3-K45	LH	3111-E-2475	3133-B-6788K	3268-W-1115	-	3262-R-356	A1-3213-Q-693
	RH	3111-F-2476	-	3262-T-358	-	3262-R-356	A1-3213-Q-693
3-K46	LH	3111-E-2475	3133-B-6788K	3268-X-1116	-	3262-R-356	A1-3213-Q-693
	RH	3111-F-2476	-	3262-T-358	-	3262-R-356	A1-3213-Q-693
3-K47	LH	3111-E-2475	-	3268-W-1115	-	3262-R-356	A3213-Q-693
	RH	3111-F-2476	-	3268-X-1116	-	3262-R-356	A3213-Q-693
3-K48	LH	3111-E-2475	-	3268-W-1115	-	3262-R-356	A1-3213-Q-693
	RH	3111-F-2476	-	3268-X-1116	-	3262-R-356	A1-3213-Q-693
3-K49	LH	3111-E-2475	-	3268-W-1115	-	3262-R-356	A1-3213-Q-693
	RH	3111-F-2476	-	3268-W-1115	-	3262-R-356	A1-3213-Q-693
3-K50	LH	3111-E-2475	-	3268-W-1115	-	3262-R-356	A1-3213-Q-693
	RH	3111-F-2476	-	3268-X-1116	-	3262-R-356	A1-3213-Q-693
3-K51	LH	3111-E-2475	3133-R-6934	3268-X-1116	-	3262-R-356	A3213-B-1588
	RH	3111-F-2476	3133-R-6934	3268-X-1116	-	3262-R-356	A3213-B-1588
3-K52	LH	3111-E-2475	-	3268-W-1115	-	3262-R-356	A3213-B-1588
	RH	3111-F-2476	-	3268-W-1115	-	3262-R-356	A3213-B-1588
3-K53	LH	3111-E-2475	3133-T-6936K	3268-W-1115	-	3262-R-356	A3213-B-1588
	RH	3111-F-2476	3133-A-6787K	3268-X-1116	-	3262-R-356	A3213-B-1588
3-K54	LH	3111-E-2475	3133-B-6788K	3268-W-1115	2110-A-209	3262-R-356	A3213-B-1588
	RH	3111-F-2476	3133-R-6934	3268-X-1116	2110-A-209	3262-R-356	A3213-B-1588

(2) No longer available with no replacement.

(15) For front mount replaced by 3133-U-7639K. For rear mount replaced by 3133-D-7102.

KNUCKLES AND RELATED PARTS (Continued)

FDS-1800 Series and FDS-2100 Series

Ref	LH/ RH	Knuckle (41, Fig 3)	Steering Arm (36, Fig 3)	Upper Adapter/Cap (30, 44, Fig 3)	Steering Arm Ball (35, Fig 3)	Lower Cap (59, Fig 3)	Spindle Assembly (55, Fig 3)
3-K55	LH	3111-E-2475	3133-R-6934	3268-X-1116	-	3262-R-356	A3213-B-1588
	RH	3111-F-2476	3133-R-6934	3268-X-1116	-	3262-R-356	A3213-B-1588
3-K56	LH	3111-E-2475	3133-B-6788K	3268-W-1115	-	3262-R-356	A3213-B-1588
	RH	3111-F-2476	-	3262-T-358	-	3262-R-356	A3213-B-1588
3-K57	LH	3111-E-2475	3133-Z-4940 (16)	3268-X-1116	-	3262-R-356	A3213-B-1588
	RH	3111-F-2476	3133-Z-4940 (16)	3268-X-1116	-	3262-R-356	A3213-B-1588
3-K58	LH	3111-E-2475	-	3268-W-1115	-	3262-R-356	A3213-B-1588
	RH	3111-F-2476	-	3268-X-1116	-	3262-R-356	A3213-B-1588
3-K59	LH	3111-A-2471	3133-S-6935K	3268-W-1115	-	3262-R-356	A3213-B-1588
	RH	3111-B-2472	-	3262-T-358	-	3262-R-356	A3213-B-1588
3-K60	LH	3111-E-2475	3133-E-5049K (2)	3268-W-1115	-	3262-R-356	A3213-B-1588
	RH	3111-F-2476	3133-C-5047K	3268-X-1116	-	3262-R-356	A3213-B-1588

3

DRUM BRAKES AND RELATED PARTS

FDS-1800 Series and FDS-2100 Series

Ref	LH/ RH	Brake Assembly (69, Fig 3)	Adapter/ Slinger (70, Fig 3)	Wheel/ Hub (77, 80, Fig 3)	Brake Drum (87, Fig 3)	Flange (88, Fig 3)	Wheel Spacer (86, Fig 3)
3-B1	LH	RSA17006-125	3286-V-490 (2)	A333-E-2631	3219-S-4309	A3270-V-1036	-
	RH	RSA17006-125	3286-V-490 (2)	A333-E-2631	3219-S-4309	A3270-V-1036	-
3-B2	LH	RSA17006-107	3286-V-490 (2)	A333-E-2631	3219-S-4309	A3270-V-1036	-
	RH	RSA17006-107	3286-V-490 (2)	A333-E-2631	3219-S-4309	A3270-V-1036	-
3-B3	LH	RDH-17006-23	3286-V-490 (2)	A333-E-2631	3219-S-4309	A3270-V-1036	-
	RH	RDH-17006-24	3286-V-490 (2)	A333-E-2631	3219-S-4309	A3270-V-1036	-
3-B4	LH	RSA17006-125	3286-V-490 (2)	A333-E-2631	3219-S-4309	A3270-V-1036	-
	RH	RSA17006-125	3286-V-490 (2)	A333-E-2631	3219-S-4309	A3270-V-1036	-
3-B5	LH	RSA17006-107	3286-V-490 (2)	A333-E-2631	3219-S-4309	A3270-V-1036	-
	RH	RSA17006-107	3286-V-490 (2)	A333-E-2631	3219-S-4309	A3270-V-1036	-
3-B6	LH	RSA17006-103	3286-V-490 (2)	A333-E-2631	3219-S-4309	A3270-V-1036	-
	RH	RSA17006-103	3286-V-490 (2)	A333-E-2631	3219-S-4309	A3270-V-1036	-
3-B7	LH	-	-	A333-E-2631	-	A3270-V-1036	-
	RH	-	-	A333-E-2631	-	A3270-V-1036	-
3-B8	LH	RSA17006-107	3286-V-490 (2)	A333-E-2631	3219-S-4309	A3270-V-1036	-
	RH	RSA17006-107	3286-V-490 (2)	A333-E-2631	3219-S-4309	A3270-V-1036	-

(2) No longer available with no replacement.

(16) No longer available. Contact Florence Information Services for replacement information (1-888-725-9355).

DRUM BRAKES AND RELATED PARTS (Continued)

FDS-1800 Series and FDS-2100 Series

Ref	LH/ RH	Brake Assembly (69, Fig 3)	Adapter/ Slinger (70, Fig 3)	Wheel/ Hub (77, 80, Fig 3)	Brake Drum (87, Fig 3)	Flange (88, Fig 3)	Wheel Spacer (86, Fig 3)
3-B9	LH	RSA17006-23	3286-V-490 (2)	A333-E-2631	3219-S-4309	A3270-V-1036	-
	RH	RSA17006-24	3286-V-490 (2)	A333-E-2631	3219-S-4309	A3270-V-1036	-
3-B10	LH	RSA17006-125	3286-V-490 (2)	A333-E-2631	3219-S-4309	A3270-V-1036	-
	RH	RSA17006-125	3286-V-490 (2)	A333-E-2631	3219-S-4309	A3270-V-1036	-
3-B11	LH	RSA17006-125	3286-V-490 (2)	A333-E-2631	3219-S-4309	A3270-V-1036	3280-U-6989
	RH	RSA17006-125	3286-V-490 (2)	A333-E-2631	3219-S-4309	A3270-V-1036	3280-U-6989
3-B12	LH	RSA17006-107	3286-V-490 (2)	A333-E-2631	3219-S-4309	A3270-V-1036	-
	RH	RSA17006-107	3286-V-490 (2)	A333-E-2631	3219-S-4309	A3270-V-1036	-
3-B13	LH	RSA17006-107	3286-V-490 (2)	A333-E-2631	3219-S-4309	A3270-V-1036	3280-U-6989
	RH	RSA17006-107	3286-V-490 (2)	A333-E-2631	3219-S-4309	A3270-V-1036	3280-U-6989
3-B14	LH	RSA17006-53	3286-V-490 (2)	A333-E-2631	3219-S-4309	A3270-V-1036	-
	RH	RSA17006-53	3286-V-490 (2)	A333-E-2631	3219-S-4309	A3270-V-1036	-
3-B15	LH	RSA17006-97	3286-V-490 (2)	A333-E-2631	3219-S-4309	A3270-V-1036	-
	RH	RSA17006-97	3286-V-490 (2)	A333-E-2631	3219-S-4309	A3270-V-1036	-
3-B16	LH	RSA17006-107	3286-V-490 (2)	A333-E-2631	3219-S-4309	A3270-V-1036	-
	RH	RSA17006-107	3286-V-490 (2)	A333-E-2631	3219-S-4309	A3270-V-1036	-
3-B17	LH	RSA17006-107	3286-V-490 (2)	A333-E-2631	3219-S-4309	A3270-V-1036	-
	RH	RSA17006-107	3286-V-490 (2)	A333-E-2631	3219-S-4309	A3270-V-1036	-
3-B18	LH	RSA17006-107	3286-V-490 (2)	A333-E-2631	3219-S-4309	A3270-V-1036	3280-U-6989
	RH	RSA17006-107	3286-V-490 (2)	A333-E-2631	3219-S-4309	A3270-V-1036	3280-U-6989
3-B19	LH	RSA17006-103	3286-V-490 (2)	A333-E-2631	3219-S-4309	A3270-V-1036	-
	RH	RSA17006-103	3286-V-490 (2)	A333-E-2631	3219-S-4309	A3270-V-1036	-
3-B20	LH	-	-	A333-E-2631	3219-S-4309	A3270-V-1036	-
	RH	-	-	A333-E-2631	3219-S-4309	A3270-V-1036	-
3-B21	LH	RSA17006-95	3286-V-490 (2)	A333-E-2631	-	A3270-V-1036	-
	RH	RSA17006-95	3286-V-490 (2)	A333-E-2631	-	A3270-V-1036	-
3-B22	LH	-	-	A333-P-2642	-	A3270-V-1036	-
	RH	-	-	A333-P-2642	-	A3270-V-1036	-
3-B23	LH	RSA17006-107	3286-V-490 (2)	A333-F-2658	3219-Y-4471	A3270-V-1036	-
	RH	RSA17006-107	3286-V-490 (2)	A333-F-2658	3219-Y-4471	A3270-V-1036	-
3-B24	LH	RSA17006-97	3286-V-490 (2)	A333-F-2658	3219-Y-4471	A3270-V-1036	-
	RH	RSA17006-97	3286-V-490 (2)	A333-F-2658	3219-Y-4471	A3270-V-1036	-
3-B25	LH	RSA17006-97	3286-V-490 (2)	A333-F-2658	3219-Y-4471	A3270-V-1036	-
	RH	RSA17006-97	3286-V-490 (2)	A333-F-2658	3219-Y-4471	A3270-V-1036	-

(2) No longer available with no replacement.

DRUM BRAKES AND RELATED PARTS (Continued)

FDS-1800 Series and FDS-2100 Series

Ref	LH/ RH	Brake Assembly (69, Fig 3)	Adapter/ Slinger (70, Fig 3)	Wheel/ Hub (77, 80, Fig 3)	Brake Drum (87, Fig 3)	Flange (88, Fig 3)	Wheel Spacer (86, Fig 3)
3-B26	LH	RSA17006-101	3286-V-490 (2)	A333-F-2658	3219-Y-4471	A3270-V-1036	-
	RH	RSA17006-102	3286-V-490 (2)	A333-F-2658	3219-Y-4471	A3270-V-1036	-
3-B27	LH	RSA17006-103	3286-V-490 (2)	A333-F-2658	3219-Y-4471	A3270-V-1036	-
	RH	RSA17006-103	3286-V-490 (2)	A333-F-2658	3219-Y-4471	A3270-V-1036	-
3-B28	LH	RSA17006-107	3286-V-490 (2)	A333-F-2658	3219-Y-4471	A3270-V-1036	-
	RH	RSA17006-107	3286-V-490 (2)	A333-F-2658	3219-Y-4471	A3270-V-1036	-
3-B29	LH	RSA17006-107	3286-V-490 (2)	A333-F-2658	3219-Y-4471	A3270-V-1036	-
	RH	RSA17006-107	3286-V-490 (2)	A333-F-2658	3219-Y-4471	A3270-V-1036	-
3-B30	LH	RSA17006-107	3286-V-490 (2)	A333-F-2658	3219-Y-4471	A3270-V-1036	3280-U-6989
	RH	RSA17006-107	3286-V-490 (2)	A333-F-2658	3219-Y-4471	A3270-V-1036	3280-U-6989
3-B31	LH	RSA17006-103	3286-V-490 (2)	A333-F-2658	-	A3270-V-1036	-
	RH	RSA17006-103	3286-V-490 (2)	A333-F-2658	-	A3270-V-1036	-
3-B32	LH	RSA17006-107	3286-V-490 (2)	A333-F-2658	-	A3270-V-1036	-
	RH	RSA17006-107	3286-V-490 (2)	A333-F-2658	-	A3270-V-1036	-
3-B33	LH	RSA17006-111	3286-V-490 (2)	A333-F-2658	-	A3270-V-1036	-
	RH	RSA17006-111	3286-V-490 (2)	A333-F-2658	-	A3270-V-1036	-
3-B34	LH	-	-	A333-F-2658	-	A3270-V-1036	-
	RH	-	-	A333-F-2658	-	A3270-V-1036	-
3-B35	LH	RSA17006-107	3286-V-490 (2)	A311-Z-416 (17)	-	A3270-V-1036	-
	RH	RSA17006-107	3286-V-490 (2)	A311-Z-416 (17)	-	A3270-V-1036	-
3-B36	LH	RSA17006-107	-	A333-E-2631	3219-S-4309	A3270-V-1036	-
	RH	RSA17006-107	-	A333-E-2631	3219-S-4309	A3270-V-1036	-
3-B37	LH	RSA17006-107	-	A333-F-2658	3219-Y-4471	A3270-V-1036	-
	RH	RSA17006-107	-	A333-F-2658	3219-Y-4471	A3270-V-1036	-
3-B38	LH	RSA17006-107	-	A333-E-2631	3219-S-4309	A3270-V-1036	-
	RH	RSA17006-107	-	A333-E-2631	3219-S-4309	A3270-V-1036	-
3-B39	LH	RSA17006-77	-	A333-E-2631	3219-S-4309	A3270-V-1036	-
	RH	RSA17006-77	-	A333-E-2631	3219-S-4309	A3270-V-1036	-
3-B40	LH	RSA17006-101	-	A333-F-2658	3219-Y-4471	A3270-V-1036	-
	RH	RSA17006-102	-	A333-F-2658	3219-Y-4471	A3270-V-1036	-
3-B41	LH	RSA17006-103	-	A333-E-2631	3219-S-4309	A3270-V-1036	-
	RH	RSA17006-103	-	A333-E-2631	3219-S-4309	A3270-V-1036	-
3-B42	LH	RSA17006-95	-	A333-F-2658	-	A3270-V-1036	-
	RH	RSA17006-95	-	A333-F-2658	-	A3270-V-1036	-

(2) No longer available with no replacement.

(17) Wheel assembly (80, Fig 3).

DRUM BRAKES AND RELATED PARTS (Continued)

FDS-1800 Series and FDS-2100 Series

Ref	LH/ RH	Brake Assembly (69, Fig 3)	Adapter/ Slinger (70, Fig 3)	Wheel/ Hub (77, 80, Fig 3)	Brake Drum (87, Fig 3)	Flange (88, Fig 3)	Wheel Spacer (86, Fig 3)
3-B43	LH	RSA17006-103	-	A333-F-2658	-	A3270-V-1036	-
	RH	RSA17006-103	-	A333-F-2658	-	A3270-V-1036	-
3-B44	LH	RSA17006-111	-	A333-F-2658	-	A3270-V-1036	-
	RH	RSA17006-111	-	A333-F-2658	-	A3270-V-1036	-

WHEEL SEALS AND BEARINGS

FDS-1800 Series and FDS-2100 Series

Ref	Inner Bearing Cup (76, Fig 3)	Inner Bearing Cone (75, Fig 3)	Outer Bearing Cup (81, Fig 3)	Outer Bearing Cone (82, fig 3)	Oil Seal (74, Fig 3)
3-G1	JHM-720210	JHM-720249	52637	52375	A1205-Y-1533

CARRIERS

FDS-1800 Series and FDS-2100 Series

Axle Model Number	Carrier Assembly (Less Yoke)	Axle Ratios
FDS-1805-NX-7	L62-3800-N-456	10.11
FDS-1805-NX-10	L62-3800-N-456	10.11
FDS-1805-NX-12	L62-3800-N-456	7.03, 10.11
FDS-1805-NX-14	L62-3800-N-456	6.58, 10.11
FDS-1805-NX-15	L62-3800-N-456	7.03, 8.04, 9.04, 10.11
FDS-1805-NX-16	L62-3800-N-456	6.19, 7.03, 9.04, 10.11, 10.23
FDS-1805-NX-20	L62-3800-N-456	7.03, 9.04, 10.11, 10.23
FDS-1805-RDH-16	L62-3800-N-456	5.83, 5.91, 6.38, 6.51, 6.58, 6.77, 7.79, 8.04
FDS-1805-RDH-20	L62-3800-N-456	6.26
FDS-1805-RSA-16	L62-3800-N-456	5.32, 5.54, 6.19, 6.38, 6.77, 7.21, 7.42
FDS-1805-RSA-20	L62-3800-N-456	7.64
FDS-1805-RSA-29	L62-3800-N-456	6.19
FDS-1805-RSA-31	L62-3800-N-456	7.64
FDS-1805-RSA-32	L62-3800-N-456	5.54, 6.77, 7.42, 7.64, 8.04
FDS-1805-RSA-33	L62-3800-N-456	6.51, 6.58, 7.64, 8.04
FDS-1805-RSA-35	L62-3800-N-456	5.83, 6.19, 6.77, 7.21, 7.64, 8.18
FDS-1805-RSA-38	L62-3800-N-456	6.58
FDS-1805-RSA-40	L62-3800-N-456	5.91, 6.26, 6.51, 7.03
FDS-1805-RSA-43	L62-3800-N-456	9.06, 11.59
FDS-1805-RSA-44	L62-3800-N-456	6.19, 6.77, 7.21, 8.18
FDS-1805-RSA-52	L62-3800-N-456	5.54, 6.19, 6.26, 6.38, 6.77, 6.99, 7.09
FDS-1805-RSA-54	L62-3800-N-456	7.03
FDS-1805-RSA-60	L62-3800-N-456	6.58, 7.64
FDS-1805-RSA-61	L62-3800-N-456	5.83, 6.19, 6.77, 7.21, 7.42, 8.18, 9.06
FDS-1805-RSA-63	L62-3800-N-456	5.82, 6.19, 6.26, 6.36, 6.58, 6.77, 6.99, 7.09, 7.21, 7.79
FDS-1805-RSA-64	L62-3800-N-456	5.91, 7.03, 9.04
FDS-1805-RSA-67	L62-3800-N-456	9.23
FDS-1805-RSA-69	L62-3800-N-456	6.19, 6.26, 6.58, 6.77, 7.03, 7.42, 7.92, 8.04, 9.49, 10.11
FDS-1805-RSA-70	L62-3800-N-456	4.93, 5.32, 5.54, 5.91, 6.19, 6.38, 8.04, 10.11
FDS-1805-RSA-73	L62-3800-N-456	6.26, 7.42
FDS-1805-RSA-74	L71-3800-N-456 (1)	7.27
FDS-1805-RSA-75	L62-3800-N-456	9.04
FDS-1805-RSA-77	L59-3800-N-456	9.76
FDS-1805-RSA-87	L62-3800-N-456	6.19, 6.26, 6.58, 6.77, 7.03, 7.09, 7.21, 7.42, 7.92, 8.04, 8.38, 9.04, 9.49, 10.11, 10.23
FDS-1805-RSA-89	L62-3800-N-456	4.93, 5.32, 5.54, 5.91, 6.19, 6.38, 8.04, 10.11
FDS-1805-RSA-90	L62-3800-N-456	5.83, 6.19, 6.77, 7.21, 7.42, 8.18, 9.06
FDS-1805-RSA-91	L59-3800-N-456	9.76, 14.53
FDS-1805-RSA-93	L62-3800-N-456	6.51, 6.77
FDS-1805-RSA-95	L62-3800-N-456	6.19, 6.58, 7.03, 7.09, 7.92, 8.04, 8.38
FDS-1805-RSA-96	L62-3800-N-456	7.21, 7.64, 10.11
FDS-1805-RSA-97	L62-3800-N-456	7.64
FDS-1805-RSA-99	L62-3800-N-456	8.04
FDS-1805-RSA-100	L62-3800-N-456	9.76
FDS-1805-RSA-101	L62-3800-N-456	9.76

(1) No less yoke version currently available.

CARRIERS

FDS-1800 Series and FDS-2100 Series (Continued)

Axle Model Number	Carrier Assembly (Less Yoke)	Axle Ratios
FDS-1805-RSA-103	L78-3800-N-456	6.19
FDS-1805-RSA-106	L62-3800-N-456	4.76, 6.51
FDS-1805-RSA-108	L62-3800-N-456	8.65
FDS-1805-RSA-109	L62-3800-N-456	6.77
FDS-1805-RSA-110	L62-3800-N-456	6.58
FDS-1805-RSA-112	L62-3800-N-456	6.77
FDS-1805-RSA-115	L62-3800-N-456	5.32
FDS-1805-RSA-117	L78-3800-N-456	6.58, 7.21, 7.42, 7.64
FDS-1805-RSA-121	L62-3800-N-456	9.04
FDS-1805-RSA-126	L62-3800-N-456	5.54, 5.83, 6.19, 6.58, 7.21
FDS-1805-RSA-128	L62-3800-N-456	14.53
FDS-1805-RSA-129	A25-3800-M-689	7.42, 7.64
FDS-1805-RSA-134	A25-3800-M-689	7.64
FDS-1807-RDH-3	A45-3200-C-1433	6.83
FDS-1807-RSA-7	A45-3200-C-1433	5.29, 5.57, 6.14, 6.83, 7.40
FDS-1807-RSA-8	A43-3200-C-1433	6.14, 6.83, 7.40
FDS-1807-RSA-15	A45-3200-C-1433	6.17, 6.83
FDS-1807-RSA-29	A43-3200-C-1433	6.17, 6.83, 7.40
FDS-1807-RSA-30	A45-3200-C-1433	5.57, 6.17, 6.83, 7.40
FDS-1807-RSA-32	A43-3200-C-1433	6.17
FDS-1807-RSA-37	A45-3200-C-1433	6.83
FDS-1807-RSA-38	A43-3200-C-1433	6.83
FDS-1807-RSA-44	A43-3200-C-1433	6.17, 6.83, 7.40
FDS-1807-RSA-45	A45-3200-C-1433	5.57, 6.17, 6.83, 7.40
FDS-1807-RSA-46	A43-3200-C-1433	6.83
FDS-1807-RSA-48	A43-3200-C-1433	6.17, 6.83
FDS-1807-RSA-49	A45-3200-C-1433	5.57, 6.17, 6.83, 7.40
FDS-1807-RSA-50	A43-3200-C-1433	6.17
FDS-1807-RSA-51	A45-3200-C-1433	5.29
FDS-1807-RSA-53	A43-3200-C-1433	5.57
FDS-1807-RSA-55	A43-3200-C-1433	6.17
FDS-1807-RSA-56	A43-3200-C-1433	7.33
FDS-1807-RSA-57	A43-3200-C-1433	6.14, 6.17
FDS-1807-RSA-58	A43-3200-C-1433	5.29
FDS-1807-RSA-59	A45-3200-C-1433	5.29, 5.57, 6.14, 6.17, 6.83, 7.33, 7.40
FDS-1807-RSA-60	A43-3200-C-1433	4.10, 4.89, 5.29, 5.57, 6.14, 6.17, 6.83, 7.33, 7.40
FDS-1807-RSA-61	A43-3200-C-1433	6.14, 6.17
FDS-1807-RSA-63	A43-3200-C-1433	6.14
FDS-1807-RSA-64	A43-3200-C-1433	5.29
FDS-1807-RSA-68	A43-3200-C-1433	6.14, 6.83
FDS-1807-RSA-69	A43-3200-C-1433	6.14
FDS-1807-RSA-76	A45-3200-C-1433	5.57, 6.14
FDS-1807-RSA-77	A43-3200-C-1433	5.29, 5.57, 6.14, 6.17, 6.83, 7.40
FDS-1807-RSA-81	A43-3200-C-1433	6.14
FDS-1807-RSA-89	A45-3200-C-1433	4.33, 4.63, 4.89, 6.83
FDS-1807-RSA-90	A43-3200-C-1433	6.14, 6.17, 6.83, 7.40
FDS-1807-RSA-91	A43-3200-C-1433	5.29, 6.17, 7.40

CARRIERS

FDS-1800 Series and FDS-2100 Series (Continued)

Axle Model Number	Carrier Assembly (Less Yoke)	Axle Ratios
FDS-1808-RSA-10	A32-3200-F-1436	5.29
FDS-1808-RSA-11	A32-3200-F-1436	4.63
FDS-1808-RSA-12	A32-3200-F-1436	7.40
FDS-1808-RSA-14	A39-3200-F-1436	6.14
FDS-1808-RSA-15	A32-3200-F-1436	4.63
FDS-1808-RSA-16	B13-3200-G-969 (1)	4.63
FDS-1808-RSA-18	A32-3200-F-1436	5.29
FDS-1808-RSA-19	A32-3200-F-1436	7.4
FDS-1808-RSA-21	A32-3200-F-1436	4.63, 5.29
FDS-1808-RSA-22	A32-3200-F-1436	7.40
FDS-1808-RSA-24	A32-3200-F-1436	6.17
FDS-1808-RSA-25	A32-3200-F-1436	4.63
FDS-1808-RSA-26	B13-3200-G-969 (1)	4.63
	A32-3200-F-1436	7.40
FDS-1808-RSA-27	A32-3200-F-1436	5.29
FDS-1808-RSA-30	A32-3200-F-1436	5.29
FDS-1808-RSA-31	A32-3200-F-1436	5.29
FDS-1808-RSA-32	A32-3200-F-1436	6.17, 7.40
FDS-1808-RSA-33	A96-3200-G-969 (1)	6.14
FDS-1808-RSA-34	A32-3200-F-1436	6.17
FDS-1808-RSA-35	A32-3200-F-1436	5.29
FDS-1808-RSA-36	A32-3200-F-1436	6.17
FDS-1808-RSA-38	A32-3200-F-1436	6.83
FDS-1808-RSA-41	A32-3200-F-1436	6.17
FDS-1808-RSA-42	A32-3200-F-1436	5.29
FDS-1808-RSA-46	A32-3200-F-1436	7.40
FDS-1808-RSA-47	A32-3200-F-1436	6.17
FDS-1808-RSA-49	A32-3200-F-1436	6.83
FDS-1808-RSA-50	A32-3200-F-1436	5.29, 6.83
FDS-1808-RSA-51	A32-3200-F-1436	7.40
FDS-1808-RSA-52	A32-3200-F-1436	6.17
FDS-1808-RSA-53	A32-3200-F-1436	4.63
FDS-1808-RSA-54	A32-3200-F-1436	5.29
FDS-1808-RSA-55	A32-3200-F-1436	6.17, 6.83, 7.40
FDS-1808-RSA-56	A32-3200-F-1436	5.29
FDS-1808-RSA-61	A32-3200-F-1436	6.17, 6.83, 7.40
FDS-1808-RSA-62	A32-3200-F-1436	5.29
FDS-1808-RSA-66	A32-3200-F-1436	6.83, 7.40
FDS-1808-RSA-70	A32-3200-F-1436	4.11, 5.29, 6.17, 6.83, 7.40
FDS-1808-RSA-76	A32-3200-F-1436	5.29, 6.83
FDS-1808-RSA-83	A32-3200-F-1436	4.63, 6.17, 6.83, 7.40
FDS-1808-RSA-84	A32-3200-F-1436	5.29
FDS-1808-RSA-85	A32-3200-F-1436	5.29
FDS-1808-RSA-86	A32-3200-F-1436	4.11, 5.29, 6.17, 6.83, 7.40
FDS-1808-RSA-88	A32-3200-F-1436	6.17, 6.83
FDS-1808-RSA-92	A32-3200-F-1436	6.17
FDS-1808-RSA-94	A5-3200-F-1436 (1)	4.11, 4.63, 6.17
FDS-1808-RSA-96	A32-3200-F-1436	6.17

(1) No less yoke version currently available.

CARRIERS

FDS-1800 Series and FDS-2100 Series (Continued)

Axle Model Number	Carrier Assembly (Less Yoke)	Axle Ratios
FDS-1808-RSA-97	A32-3200-F-1436	6.17
FDS-1808-RSA-100	A32-3200-F-1436	6.17, 7.40
FDS-1808-RSA-101	A32-3200-F-1436	6.17, 7.40
FDS-1808-RSA-105	A32-3200-F-1436	5.29
FDS-1808-RSA-106	A32-3200-F-1436	5.29
FDS-1808-RSA-107	A32-3200-F-1436	5.29
FDS-1808-RSA-108	A32-3200-F-1436	6.83
FDS-1808-RSA-120	A32-3200-F-1436	5.29
FDS-1808-RSA-121	A32-3200-F-1436	5.29
FDS-1808-RSA-122	A35-3200-F-1436 (1)	5.29
FDS-1808-RSA-124	A32-3200-F-1436	6.83
FDS-1808-RSA-131	A32-3200-F-1436	5.29
FDS-1808-RSA-132	A32-3200-F-1436	5.29, 6.17, 6.83, 7.40
FDS-1808-RSA-133	A32-3200-F-1436	5.29
FDS-1808-RSA-137	A32-3200-F-1436	5.29
FDS-1808-RSA-138	A32-3200-F-1436	4.63, 5.29, 6.17, 7.40
FDS-1808-RSA-139	A32-3200-F-1436	6.17
FDS-1808-RSA-140	A32-3200-F-1436	4.63, 5.29, 6.17, 6.83, 7.40
FDS-1808-RSA-146	A32-3200-F-1436	4.63, 6.17, 6.83
FDS-1808-RSA-147	A32-3200-F-1436	4.63
FDS-1808-RSA-152	A32-3200-F-1436	5.29
FDS-1808-RSA-153	A32-3200-F-1436	6.17
FDS-2100-RSA-13	A32-3200-F-1436	5.29
FDS-2100-RSA-14	A32-3200-F-1436	6.83
FDS-2100-RSA-16	A32-3200-F-1436	5.29, 6.17, 6.83
FDS-2100-RSA-18	A32-3200-F-1436	6.17
FDS-2100-RSA-21	A32-3200-F-1436	5.29, 6.17, 6.83
FDS-2100-RSA-23	A32-3200-F-1436	6.50
FDS-2100-RSA-29	A35-3200-F-1436 (1)	5.29
FDS-2100-RSA-32	A35-3200-F-1436 (1)	5.29, 6.17
FDS-2100-RSA-33	A32-3200-F-1436	5.29, 6.17, 6.83
FDS-2100-RSA-35	A32-3200-F-1436	5.29, 6.17, 6.83, 7.40
FDS-2100-RSA-36	A35-3200-F-1436 (1)	5.29
FDS-2100-RSA-39	A32-3200-F-1436	6.17, 7.40
FDS-2100-RSA-40	A32-3200-F-1436	4.63, 5.29
FDS-2100-RSA-42	A32-3200-F-1436	4.11
FDS-2100-RSA-43	A32-3200-F-1436	4.11, 5.29
FDS-2100-RSA-44	A32-3200-F-1436	5.29, 6.17
FDS-2100-RSA-51	A32-3200-F-1436	6.17, 6.83
FDS-2101-RSA-9	A45-3200-C-1433	6.17
FDS-2101-RSA-14	A33-3200-C-1433	5.29
FDS-2101-RSA-21	A45-3200-C-1433	6.83
FDS-2101-RSA-32	A45-3200-C-1433	4.11, 4.63, 4.89, 5.38, 5.57, 6.17
FDS-2101-RSA-35	A45-3200-C-1433	6.83

(1) No less yoke version currently available.

CARRIERS

FDS-1800 Series and FDS-2100 Series (Continued)

Axle Model Number	Carrier Assembly (Less Yoke)	Axle Ratios
FDS-2102-NX-2	L62-3800-N-456	9.76
FDS-2102-RSA-7	L62-3800-N-456	5.91, 6.38, 9.76
FDS-2102-RSA-8	L62-3800-N-456	8.38
FDS-2102-RSA-9	L62-3800-N-456	6.77, 7.42, 8.38, 9.06
FDS-2102-RSA-10	L62-3800-N-456	7.42
FDS-2102-RSA-15	L62-3800-N-456	5.32, 5.54, 5.83, 6.38
FDS-2102-RSA-17	L62-3800-N-456	14.53
FDS-2102-RSA-19	L62-3800-N-456	6.77
FDS-2102-RSA-20	L62-3800-N-456	4.76, 6.38, 8.04
FDS-2102-RSA-24	L62-3800-N-456	5.82, 5.91, 6.38, 6.51, 6.58, 6.77, 7.92
FDS-2102-RSA-25	L62-3800-N-456	5.82, 6.38, 6.77, 7.03, 7.21, 7.79, 8.04

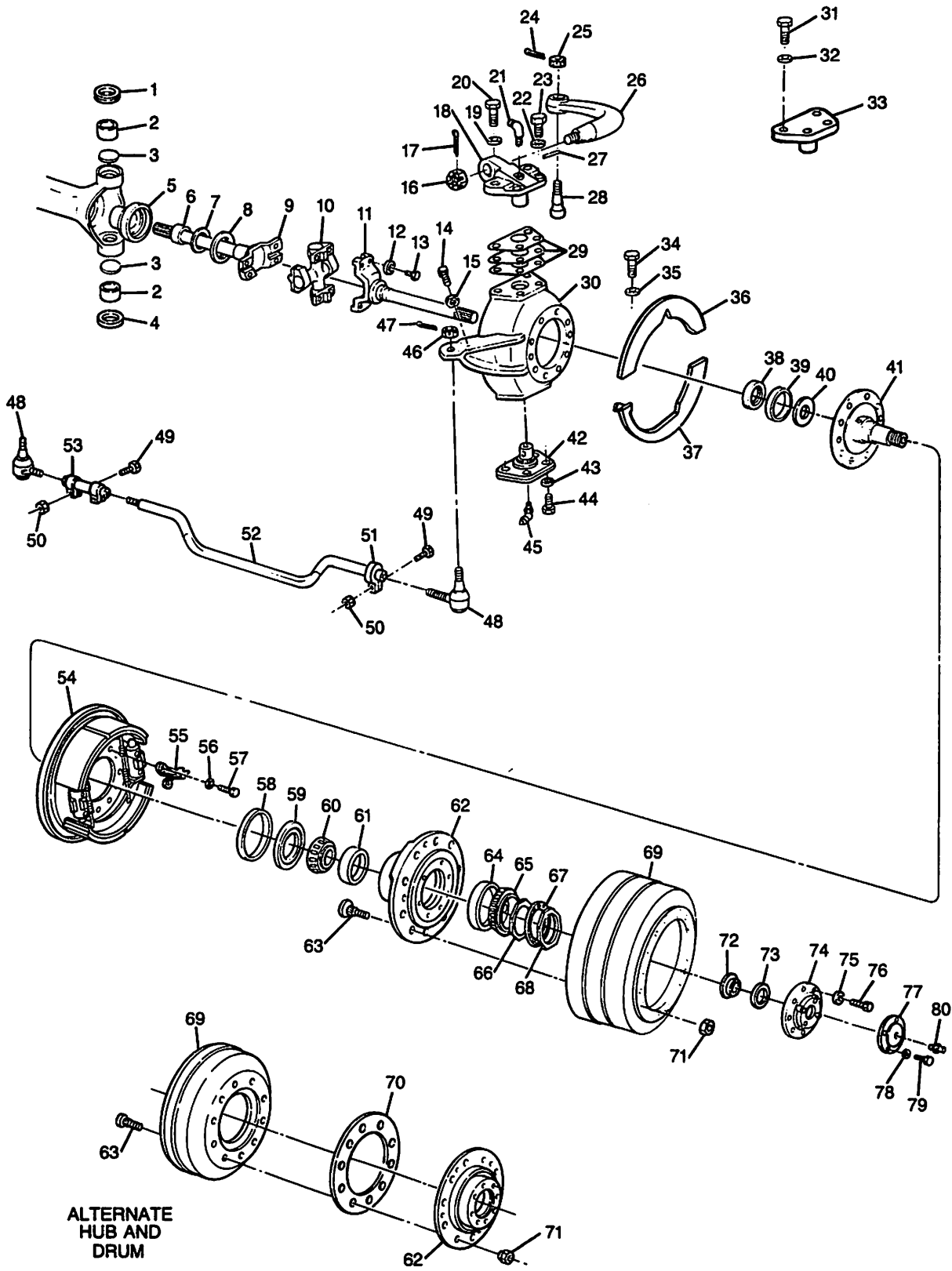


Figure 4 - RF-16, RF-21 and RF-23

FIGURE 4
RF-16, RF-21 and RF-23

Item	Description	Part Number	Comments
1	Grease Seal	1205-A-1743	
2	Bushing	1225-U-1191	2.94" O.D., 2.75" I.D., 1.625" Length (metric)
		1225-L-974	3.00" O.D., 2.75" I.D., 1.88" Length
3	Expansion Plug	1250-B-470	
4	Thrust Bearing	A-1228-X-1220	
5	Adapter	3268-F-1124	Not needed for all specs
6	Bushing	1825-X-310	
7	Thrustwasher	1229-A-4551	3.497" O.D.
		1229-U-4623	4.004" O.D.
8	Oil Seal	A-1205-A-1535	
9	Shaft/Yoke - Carrier Side	See Page 50	
10	Cross/U-Joint	See Page 50	
11	Shaft/Yoke - Wheel Side	See Page 50	
12	Washer	Not sold separately	Included with Item 10
13	Capscrew	Not sold separately	Included with Item 10
14	Stopscrew	26-X-243	
15	Stopscrew Jam Nut	N-312-1	
16	Nut	13-X-184	
17	Cotter Pin	K-2618	
18	Upper Adapter	See Pages 52-54	
19	Washer	1229-Y-1559	O.D. 1.75", I.D. 1.03"
		1229-M-1625	O.D. 1.50", I.D. 0.91"
20	Capscrew - Long	10-X-1113	1.00"-8 thread, 2.50" long
		S-21422A-2	0.875"-9 thread, 2.75" long
21	Grease Fitting	1199-B-3226	
22	Washer	1229-Y-1559	
23	Capscrew - Short	10-X-1112	
24	Cotter Pin	K-2416	
25	Nut	N-312-1	
26	Steering Arm	See Pages 52-54	
27	Key	16-X-202	
28	Steering Arm Ball	See Pages 52-54	
29	Shims	2203-K-8019	4.56" I.D., .003" Thickness, 4 holes 1.031" dia.
		2203-L-8020	4.56" I.D., .005" Thickness, 4 holes 1.031" dia.
		2203-M-8021	4.56" I.D., .010" Thickness, 4 holes 1.031" dia.
		2803-G-2789	4.56" I.D., .003" Thickness, 6 holes 0.906" dia.
		2803-H-2790	4.56" I.D., .005" Thickness, 6 holes 0.906" dia.
		2803-J-2792	4.56" I.D., .010" Thickness, 6 holes 0.906" dia.
30	Knuckle	See Pages 52-54	
31	Capscrew	10-X-1112	
32	Washer	1229-B-1666	
33	Upper Cap	See Pages 52-54	
34	Capscrew	S-265-2	
35	Washer	1229-B-1666	
36	Dust Shield Assembly	A3-3236-C-2031	LH, Sold as upper and lower assembly
37	Dust Shield Assembly	A2-3236-C-2031	RH, Sold as upper and lower assembly
38	Oil Seal	A-1205-Z-1534	
39	Sleeve	3280-S-6649	

RF-16, RF-21 and RF-23 (Continued)

Item	Description	Part Number	Comments
40	Washer	1229-H-2920	Use with A-3213-B-1588 spindle
		1229-U-4623	Use with A-3213-L-1780 and A-3213-U-1815 spindles
41	Spindle Assembly	See Pages 52-54	
42	Lower Cap	See Pages 52-54	
43	Washer	1229-V-1556	
44	Capscrew	S-21218A-2	
45	Grease Fitting	1199-B-3226	
46	Nut	N-214-1	7/8"-14
		13-X-184	1-1/4"-12
47	Cotter Pin	K-2412C	1-1/2" Length
		K-2618	2-1/4" Length
48	Tie Rod End	See Page 51	
49	Capscrew	See Page 51	
50	Nut	See Page 51	
51	Clamp	See Page 51	
52	Cross Tube	See Page 51	
53	Turnbuckle Clamp	See Page 51	
54	Brake Assembly	See Page 55	
55	Mounting Bracket	3299-A-5279	
56	Washer	1229-W-1557	
57	Capscrew	S-21018A-2	
58	Sleeve	1199-T-3166	
59	Oil Seal	See Page 51	
60	Inner Bearing Cone	See Page 51	
61	Inner Bearing Cup	See Page 51	
62	Hub	See Page 55	
63	Wheel Stud	20-X-2167	LH, 3/4"-16 thread, 2.38" long
		20-X-2166	RH, 3/4"-16 thread, 2.38" long
		20-X-1839	LH, 1-1/8"-16 thread, 3.50" long
		20-X-1840	RH, 1-1/8"-16 thread, 3.50" long
		20-X-2353	LH, 1-1/8"-16 thread, 4.00" long
		20-X-2354	RH, 1-1/8"-16 thread, 4.00" long
		20-X-1589	LH, 1-1/8"-16 thread, 4.50" long
		20-X-1590	RH, 1-1/8"-16 thread, 4.50" long
		20-X-1423	LH, 1-5/16"-12 thread, 4.00" long
		20-X-1422	RH, 1-5/16"-12 thread, 4.00" long
		20-X-2271	LH, 1-5/16"-12 thread, 4.47" long
		20-X-2270	RH, 1-5/16"-12 thread, 4.47" long
		20-X-2005	LH, 1-5/16"-12 thread, 4.88" long
		20-X-2006	RH, 1-5/16"-12 thread, 4.88" long
		20-X-2174	RH, M20 X 1.5 thread, 2.56" long
20-X-2390	RH, M22 X 1.5 thread, 4.50" long		
64	Outer Bearing Cup	See Page 51	
65	Outer Bearing Cone	See Page 51	
66	Nut	1227-D-1018	
67	Lockwasher	1229-L-2560	
68	Nut	1227-K-1025	
69	Brake Drum	See Page 55	
70	Wheel Spacer	See Page 55	

RF-16, RF-21 and RF-23 (Continued)

Item	Description	Part Number	Comments
71	Nut	1199-M-117	LH, 1-1/8"-16
		1199-N-118	RH, 1-1/8"-16
		1199-Y-1351	LH, 1-5/16"-12
		1199-X-1350	RH, 1-5/16"-12
72	Retainer	1205-N-2146	
73	Felt	5-X-1050	
74	Flange	See Page 55	
75	Washer	1229-U-1503	
76	Capscrew	10-X-1594	
77	Flange Cap	See Page 55	
78	Washer	1229-C-1667	
79	Capscrew	S-266-2	
80	Grease Fitting	1199-N-1860	

AXLE MODEL REFERENCE CHARTS

RF-16

Axle Model Number RF-16-	Shaft/ Yoke/Joint Assembly Pg 50	Cross Tube Assembly Pg 51	Knuckle and Related Parts Pg 52-55	Brake and Related Parts Pg 55	Wheel End Bearings and Seals Pg 51
145-NCSF-59	4-J9	4-U1	4-K33	4-B8	4-G1
145-NCSF-77	4-J11	4-U2	4-K44	4-B8	4-G1
145-NFLF-67	4-J6	4-U1	4-K30	4-B13	4-G2
145-NFLF-71	4-J6	4-U1	4-K28	4-B13	4-G2
145-NFQF-44	4-J6	4-U1	4-K23	4-B13	4-G2
145-NFQF-53	4-J6	4-U1	4-K28	4-B13	4-G2
145-NFQF-62	4-J6	4-U1	4-K30	4-B13	4-G2
145-NFSF-6	4-J2	4-U1	4-K3	4-B3	4-G1
145-NFSF-10	4-J2	4-U1	4-K2	4-B3	4-G1
145-NFSF-13	4-J2	4-U1	4-K6	4-B4	4-G1
145-NFSF-30	4-J2	4-U1	4-K31	4-B4	4-G1
145-NFSF-33	4-J2	4-U1	4-K7	4-B3	4-G1
145-NFSF-34	4-J2	4-U1	4-K35	4-B3	4-G1

AXLE MODEL REFERENCE CHARTS

RF-21

Axle Model Number RF-21-	Shaft/ Yoke/Joint Assembly Pg 50	Cross Tube Assembly Pg 51	Knuckle and Related Parts Pg 52-55	Brake and Related Parts Pg 55	Wheel End Bearings and Seals Pg 51
155-NFSF-1	4-J1	4-U1	4-K8	4-B5	4-G1
155-NFSF-3	4-J1	4-U1	4-K9	4-B6	4-G1
155-NFSF-4	4-J1	4-U1	4-K4	4-B2	4-G1
155-NFSF-8	4-J1	4-U1	4-K10	4-B4	4-G1
155-NFSF-15	4-J1	4-U1	4-K11	4-B4	4-G1
155-NFSF-20	4-J1	4-U1	4-K12	4-B7	4-G1
155-NFSF-23	4-J1	4-U1	4-K9	4-B6	4-G1
155-NHSF-6	4-J1	4-U1	4-K13	4-B4	4-G1
155-NFSF-27	4-J1	4-U1	4-K36	4-B6	4-G1
155-NFLF-50	4-J8	4-U1	4-K45	4-B14	4-G2
155-NFLF-55	4-J8	4-U1	4-K26	4-B13	4-G2
155-NFLF-57	4-J8	4-U1	4-K24	4-B14	4-G2
155-NFLF-72	4-J8	4-U1	4-K46	4-B18	4-G2
155-NFLF-73	4-J8	4-U1	4-K45	4-B14	4-G2
156-NFQF-23	4-J8	4-U1	4-K24	4-B12	4-G2
156-NFQF-32	4-J8	4-U1	4-K24	4-B14	4-G2
156-NFQF-33	4-J8	4-U1	4-K25	4-B12	4-G2
156-NFQF-48	4-J8	4-U1	4-K25	4-B18	4-G2
156-NFSF-1	4-J1	4-U1	4-K5	4-B1	4-G1
156-NFSF-3	4-J1	4-U1	4-K1	4-B2	4-G1
156-NFSF-7	4-J1	4-U1	4-K9	4-B8	4-G1
156-NFSF-8	4-J1	4-U1	4-K14	4-B9	4-G1
156-NFSF-10	4-J1	4-U1	4-K4	4-B6	4-G1
156-NFSF-14	4-J1	4-U1	4-K15	4-B6	4-G1
156-NHLF-62	4-J8	4-U1	4-K32	4-B13	4-G2
156-NHSF-5	4-J1	4-U1	4-K13	4-B4	4-G1
156-NFSF-28	4-J1	4-U1	4-K37	4-B6	4-G1
160-NCLF-71	4-J7	4-U1	4-K24	4-B14	4-G2
160-NCLF-91	4-J7	4-U1	4-K45	4-B14	4-G2
160-NCLF-92	4-J7	4-U1	4-K46	4-B18	4-G2
160-NCLF-93	4-J7	4-U1	4-K47	4-B13	4-G2
160-NCLF-96	4-J7	4-U1	4-K45	4-B14	4-G2
160-NCQF-16	4-J12	4-U1	4-K32	4-B13	4-G2
160-NCQF-22	4-J7	4-U1	4-K48	4-B13	4-G2
160-NCQF-27	4-J12	4-U1	4-K49	4-B13	4-G2
160-NCSF-2	4-J4	4-U1	4-K16	4-B4	4-G1
160-NCSF-5	4-J4	4-U1	4-K13	4-B10	4-G1
160-NCSF-6	4-J4	4-U1	4-K16	4-B4	4-G1
160-NCSF-12	4-J3	4-U1	4-K38	4-B10	4-G1
160-NCQF-26	4-J7	4-U1	4-K31	4-B13	4-G2
160-NCQF-42	4-J7	4-U1	4-K24	4-B14	4-G2
160-NFLF-58	4-J5	4-U1	4-K50	4-B12	4-G2
160-NFLF-84	4-J5	4-U1	4-K51	4-B13	4-G2
160-NLFL-94	4-J5	4-U1	4-K52	4-B12	4-G2

AXLE MODEL REFERENCE CHARTS

RF-21(Continued)

Axle Model Number RF-21-	Shaft/ Yoke/Joint Assembly Pg 50	Cross Tube Assembly Pg 51	Knuckle and Related Parts Pg 52-55	Brake and Related Parts Pg 55	Wheel End Bearings and Seals Pg 51
160-NFQF-24	4-J5	4-U1	4-K26	4-B12	4-G2
160-NFQF-34	4-J5	4-U1	4-K28	4-B13	4-G2
160-NFQF-37	4-J5	4-U1	4-K32	4-B12	4-G2
160-NFQF-41	4-J10	4-U1	4-K27	4-B12	4-G2
160-NFQF-44	4-J5	4-U1	4-K32	4-B12	4-G2
160-NFQF-46	4-J5	4-U1	4-K28	4-B18	4-G2
355-NFLF-49	4-J8	4-U1	4-K29	4-B13	4-G2
355-NFSF-1	4-J1	4-U1	4-K8	4-B5	4-G1
355-NFSF-5	4-J1	4-U1	4-K14	4-B9	4-G1
355-NFSF-12	4-J1	4-U1	4-K17	4-B5	4-G1
355-NFSF-9	4-J1	4-U1	4-K43	4-B9	4-G1
355-NFSF-16	4-J1	4-U1	4-K18	4-B4	4-G1
355-NFSF-18	4-J1	4-U1	4-K41	4-B17	4-G1
355-NFSF-25	4-J1	4-U1	4-K42	4-B5	4-G1

RF-23

Axle Model Number RF-23-	Shaft/ Yoke/Joint Assembly Pg 50	Cross Tube Assembly Pg 51	Knuckle and Related Parts Pg 52-55	Brake and Related Parts Pg 55	Wheel End Bearings and Seals Pg 51
180-NCLF-50	4-J7	4-U1	4-K48	4-B18	4-G2
180-NCLF-52	4-J7	4-U1	4-K26	4-B13	4-G2
180-NCSF-2	4-J4	4-U1	4-K19	4-B4	4-G1
180-NCSF-8	4-J4	4-U1	4-K20	4-B4	4-G1
180-NFLF-63	4-J13	4-U1	4-K53	4-B12	4-G2
180-NFSF-10	4-J4	4-U1	4-K39	4-B16	4-G1
180-NFSF-13	4-J4	4-U1	4-K21	4-B4	4-G1
180-NFSF-16	4-J4	4-U1	4-K21	4-B11	4-G1
180-NFSF-22	4-J4	4-U1	4-K22	4-B6	4-G1
180-NFSF-27	4-J4	4-U1	4-K40	4-B15	4-G1
180-NFSF-28	4-J4	4-U1	4-K40	4-B4	4-G1
180-NFQF-31	4-J5	4-U1	4-K26	4-B12	4-G2
180-NFQF-34	4-J5	4-U1	4-K29	4-B13	4-G2
180-NFQF-38	4-J5	4-U1	4-K28	4-B12	4-G2

SHAFT/YOKE/JOINT ASSEMBLIES

RF-16, RF-21 and RF-23

Ref	LH/ RH	Shaft/Yoke/Joint Assembly (9-13, Fig 4)	Shaft/Yoke - Carrier Side (9, Fig 4)	Shaft/Yoke - Wheel Side (11, Fig 4)	Cross/U-Joint (10, Fig 4)
4-J1	LH/RH	A2-3202-F-9834S	92NYSM38-79	92NYSM38-78	CP92N-DWT
4-J2	LH RH	A1-3202-F-9834S (2) A3202-F-9834S (2)	92NYSM34-20 92NYSM34-19		
4-J3	LH RH	A3202-Z-9984S A3202-A-9985S	950NYSM38-20 950NYSM38-21	950NYSM38-1	CP950N
4-J4	LH RH	A3202-A-9985S A3202-Z-9984S	950NYSM38-21 950NYSM38-20		
4-J5	LH RH	A9-3205-P-1004 A8-3205-P-1004	92NYSM38-88 92NYSM38-86	92NYSM38-85	CP92N-DWT
4-J6	LH RH	A12-3205-P-1004 A11-3205-P-1004 (2)	92NYSM34-12 92NYSM34-31		
4-J7	LH RH	A7-3205-P-1004 A8-3205-P-1004	92NYSM38-87 92NYSM38-86		
4-J8	LH RH	A10-3205-P-1004 A10-3205-P-1004	92NYSM38-94 92NYSM38-94		
4-J9	LH RH	A3202-F-9834 (2) A5-3202-F-9834	92NYSM34-19 92NYSM34-21	92NYSM38-78	CP92N-DWT
4-J10	LH RH	A14-3205-P-1004 A15-3205-P-1004	92NYSM38-95 92NYSM38-96	92NYSM38-85	
4-J11	LH RH	A7-3202-F-9834 A6-3202-F-9834	92NYSM34-23 92NYSM34-22	92NYSM38-78	
4-J12	LH RH	A8-3205-P-1004 A7-3205-P-1004	92NYSM38-87 92NYSM38-86	92NYSM38-85	
4-J13	LH RH	A8-3205-P-1004 A9-3205-P-1004	92NYSM38-88 92NYSM38-86		

(2) No longer available with no replacement.

CROSS TUBE ASSEMBLIES

RF-16, RF-21 and RF-23

Ref	Cross Tube Assembly (48 - 53, Fig 4)	Tie Rod End LH or RH (48, Fig 4)	Tie Rod End LH or RH (48, Fig 4)	Cross Tube with Clamps (49 - 53, Fig 4)	Cross Tube (13) (52, Fig 4)
4-U1	A1-3102-D-4424	A3144-B-1068	A3144-X-1090	A3102-D-4424	3102-D-4424
4-U2	A1-3102-S-4413	A3144-Y-1091	A3144-V-1036	A3102-S-4413	3102-S-4413

(13) Not sold separately.

WHEEL SEALS AND BEARINGS

RF16, RF21 and RF23

Ref	Inner Bearing Cup (61, Fig 4)	Inner Bearing Cone (60, Fig 4)	Outer Bearing Cup (64, Fig 4)	Outer Bearing Cone (65, Fig 4)	Oil Seal (59, Fig 4)
4-G1	JHM-720210	JHM-720249	52637	52375	A1205-Y-1533
4-G2	52618	52400	592A	594A	A1205-P-2434

4

KNUCKLES AND RELATED PARTS

RF-16, RF-21 and RF-23

Ref	LH/ RH	Knuckle (30, Fig 4)	Steering Arm (26, Fig 4)	Upper Adapter/Cap (18, 33, Fig 4)	Steering Arm Ball (28, Fig 4)	Lower Cap (42, Fig 4)	Spindle Assembly (41, Fig 4)
4-K1	LH	3111-A-2471	3133-S-6935K	3268-W-1115	-	3262-U-1139	A3213-B-1588
	RH	3111-B-2472	-	3262-T-358	-	3262-U-1139	A3213-B-1588
4-K2	LH	3111-E-2475	3133-B-6788K	3268-W-1115	2110-V-100	3262-U-1139	A3213-B-1588
	RH	3111-F-2476	3133-R-6934	3268-X-1116	2110-V-100	3262-U-1139	A3213-B-1588
4-K3	LH	3111-E-2475	3133-Q-7245	3268-W-1115	-	3262-U-1139	A3213-B-1588
	RH	3111-F-2476	-	3262-T-358	-	3262-U-1139	A3213-B-1588
4-K4	LH	3111-E-2475	3133-B-6788K	3268-W-1115	2110-A-209	3262-U-1139	A3213-B-1588
	RH	3111-F-2476	-	3262-T-358	-	3262-U-1139	A3213-B-1588
4-K5	LH	3111-E-2475	3133-A-6787K	3268-X-1116	-	3262-U-1139	A3213-B-1588
	RH	3111-F-2476	3133-T-6936K (14)	3268-W-1115	-	3262-U-1139	A3213-B-1588
4-K6	LH	3111-E-2475	3133-T-6936K (14)	3268-W-1115	2110-A-209	3262-U-1139	A3213-B-1588
	RH	3111-F-2476	-	3262-T-358	-	3262-U-1139	A3213-B-1588
4-K7	LH	3111-E-2475	3133-Q-7245	3268-W-1115	-	3262-U-1139	A3213-B-1588
	RH	3111-F-2476	-	3262-T-358	-	3262-U-1139	A3213-B-1588
4-K8	LH	3111-E-2475	3133-R-6934	3268-X-1116	-	3262-U-1139	A3213-B-1588
	RH	3111-F-2476	3133-R-6934	3268-X-1116	-	3262-U-1139	A3213-B-1588
4-K9	LH	3111-E-2475	3133-Z-4940 (16)	3268-X-1116	-	3262-U-1139	A3213-B-1588
	RH	3111-F-2476	3133-Z-4940 (16)	3268-X-1116	-	3262-U-1139	A3213-B-1588
4-K10	LH	3111-E-2475	-	3268-W-1115	-	3262-U-1139	A3213-B-1588
	RH	3111-F-2476	-	3268-X-1116	-	3262-U-1139	A3213-B-1588
4-K11	LH	3111-E-2475	3133-T-6936K	3268-W-1115	-	3262-U-1139	A3213-B-1588
	RH	3111-F-2476	-	3262-T-358	-	3262-U-1139	A3213-B-1588
4-K12	LH	3111-E-2475	3133-Y-5043 (2)	3268-X-1116	-	3262-U-1139	A3213-B-1588
	RH	3111-F-2476	3133-Y-5043 (2)	3268-X-1116	-	3262-U-1139	A3213-B-1588
4-K13	LH	3111-E-2475	3133-A-6787K	3268-W-1115	2110-A-209	3262-U-1139	A3213-B-1588
	RH	3111-F-2476	3133-T-6936K	3268-X-1116	2110-A-209	3262-U-1139	A3213-B-1588
4-K14	LH	3111-E-2475	3133-Y-7591K	3268-W-1115	-	3262-U-1139	A3213-B-1588
	RH	3111-F-2476	3133-S-6935K	3268-X-1116	-	3262-U-1139	A3213-B-1588
4-K15	LH	3111-E-2475	3133-A-6787K	3268-X-1116	-	3262-U-1139	A3213-B-1588
	RH	3111-F-2476	3133-Z-7592K	3268-W-1115	-	3262-U-1139	A3213-B-1588
4-K16	LH	3111-E-2475	3133-T-6936K	3268-W-1115	2110-A-209	3262-U-1139	A3213-B-1588
	RH	3111-F-2476	-	3262-T-358	-	3262-U-1139	A3213-B-1588
4-K17	LH	3111-E-2475	-	3268-W-1115	-	3262-U-1139	A3213-B-1588
	RH	3111-F-2476	-	3268-W-1115	-	3262-U-1139	A3213-B-1588

(2) No longer available with no replacement.

(14) Use 3133-T-6936K for all applications except front mounted RF and FDS use 3133-Z-7592K.

(16) No longer available. Contact Florence Information Services for replacement information (1-888-725-9355).

KNUCKLES AND RELATED PARTS (Continued)

RF-16, RF-21 and RF-23

Ref	LH/ RH	Knuckle (30, Fig 4)	Steering Arm (26, Fig 4)	Upper Adapter/Cap (18, 33, Fig 4)	Steering Arm Ball (28, Fig 4)	Lower Cap (42, Fig 4)	Spindle Assembly (41, Fig 4)
4-K18	LH	3111-E-2475	-	3268-W-1115	2110-A-209	3262-U-1139	A3213-B-1588
	RH	3111-F-2476	-	3262-T-358	-	3262-U-1139	A3213-B-1588
4-K19	LH	3111-E-2475	3133-A-6787K	3268-X-1116	2110-A-209	3262-R-356	A3213-B-1588
	RH	3111-F-2476	-	3262-T-358	-	3262-R-356	A3213-B-1588
4-K20	LH	3111-E-2475	3133-A-6787K	3268-X-1116	-	3262-U-1139	A3213-B-1588
	RH	3111-F-2476	-	3262-T-358	-	3262-U-1139	A3213-B-1588
4-K21	LH	3111-E-2475	3133-R-7376K	3268-X-1116	-	3262-U-1139	A3213-B-1588
	RH	3111-F-2476	3133-Q-7375K	3268-W-1115	-	3262-U-1139	A3213-B-1588
4-K22	LH	3111-E-2475	3133-A-7567K	3268-X-1116	-	3262-U-1139	A3213-B-1588
	RH	3111-F-2476	3133-A-7567K	3268-X-1116	-	3262-U-1139	A3213-B-1588
4-K23	LH	3111-U-3323	3133-P-7400	-	-	3262-G-1255	A3213-L-1780
	RH	3111-V-3324	-	3266-J-1284	-	3262-G-1255	A3213-L-1780
4-K24	LH	3111-U-3323	3133-X-7642	-	-	3262-G-1255	A3213-L-1780
	RH	3111-V-3324	3133-X-7642	-	-	3262-G-1255	A3213-L-1780
4-K25	LH	3111-U-3323	3133-T-7690	-	-	3262-G-1255	A3213-L-1780
	RH	3111-V-3324	3133-T-7690	-	-	3262-G-1255	A3213-L-1780
4-K26	LH	3111-U-3323	3133-J-7680	-	-	3262-G-1255	A3213-L-1780
	RH	3111-V-3324	3133-J-7680	-	-	3262-G-1255	A3213-L-1780
4-K27	LH	3111-U-3323	3133-D-7778	-	-	3262-G-1255	A3213-L-1780
	RH	3111-V-3324	-	3266-N-1340	-	3262-G-1255	A3213-L-1780
4-K28	LH	3111-U-3323	3133-P-7400	-	-	3262-G-1255	A3213-L-1780
	RH	3111-V-3324	3133-P-7400	-	-	3262-G-1255	A3213-L-1780
4-K29	LH	3111-U-3323	3133-G-7391	-	-	3262-G-1255	A3213-L-1780
	RH	3111-V-3324	3133-G-7391	-	-	3262-G-1255	A3213-L-1780
4-K30	LH	3111-U-3323	3133-X-7642	-	-	3262-G-1255	A3213-U-1815
	RH	3111-V-3324	-	3266-J-1284	-	3262-G-1255	A3213-U-1815
4-K31	LH	3111-U-3323	3133-Q-7687	-	2110-A-209	3262-G-1255	A3213-U-1815
	RH	3111-V-3324	3133-Q-7687	-	2110-A-209	3262-G-1255	A3213-U-1815
4-K32	LH	3111-U-3323	3133-Q-7687	-	-	3262-G-1255	A3213-U-1815
	RH	3111-V-3324	3133-Q-7687	-	-	3262-G-1255	A3213-U-1815
4-K33	LH	3111-E-2475	-	3268-W-1115	-	3262-U-1139	A3213-B-1588
	RH	3111-F-2476	3133-C-5047K	3268-X-1116	-	3262-U-1139	A3213-B-1588
4-K34	LH	3111-E-2475	-	3268-W-1115	-	3262-U-1139	A3213-B-1588
	RH	3111-F-2476	3133-T-6936K	3262-T-358	2110-A-209	3262-U-1139	A3213-B-1588
4-K35	LH	3111-E-2475	3133-Q-7245	3268-W-1115	-	3262-U-1139	A3213-B-1588
	RH	3111-F-2476	3133-Q-7245	3268-X-1116	-	3262-U-1139	A3213-B-1588

4

KNUCKLES AND RELATED PARTS (Continued)

RF-16, RF-21 and RF-23

Ref	LH/ RH	Knuckle (30, Fig 4)	Steering Arm (26, Fig 4)	Upper Adapter/Cap (18, 33, Fig 4)	Steering Arm Ball (28, Fig 4)	Lower Cap (42, Fig 4)	Spindle Assembly (41, Fig 4)
4-K36	LH	3111-E-2475	3133-A-6787K	3268-W-1115	-	3262-U-1139	A3213-B-1588
	RH	3111-F-2476	3133-T-6936K	3268-X-1116	-	3262-U-1139	A3213-B-1588
4-K37	LH	3111-E-2475	3133-V-7354K	3268-W-1115	-	3262-U-1139	A3213-B-1588
	RH	3111-F-2476	3133-V-7354K	3268-X-1116	-	3262-U-1139	A3213-B-1588
4-K38	LH	3111-E-2475	3133-A-6787K	3268-W-1115	2110-A-209	3262-U-1139	A3213-B-1588
	RH	3111-F-2476	3133-T-6936K	3268-X-1116	2110-A-209	3262-U-1139	A3213-B-1588
4-K39	LH	3111-E-2475	3133-Q-5191 (16)	3268-W-1115	-	3262-U-1139	A3213-B-1588
	RH	3111-F-2476	3133-S-6935K	3268-X-1116	-	3262-U-1139	A3213-B-1588
4-K40	LH	3111-E-2475	3133-B-7568K	3268-W-1115	-	3262-U-1139	A3213-B-1588
	RH	3111-F-2476	3133-C-7569K	3268-X-1116	-	3262-U-1139	A3213-B-1588
4-K41	LH	3111-E-2475	3133-E-5049 (2)	3268-W-1115	-	3262-U-1139	A3213-B-1588
	RH	3111-F-2476	3133-C-5047K	3268-X-1116	-	3262-U-1139	A3213-B-1588
4-K42	LH	3111-E-2475	-	3268-W-1115	-	3262-U-1139	A3213-B-1588
	RH	3111-F-2476	3133-U-7561	3268-X-1116	-	3262-U-1139	A3213-B-1588
4-K43	LH	3111-E-2475	3133-Q-5191 (16)	3268-W-1115	-	3262-U-1139	A3213-B-1588
	RH	3111-F-2476	3133-S-6935K	3268-X-1116	-	3262-U-1139	A3213-B-1588
4-K44	LH	3111-E-2475	3133-U-7639K	3268-X-1116	-	3262-U-1139	A3213-B-1588
	RH	3111-F-2476	-	3262-T-358	-	3262-U-1139	A3213-B-1588
4-K45	LH	3111-U-3323	3133-X-7642	-	-	3262-G-1255	A3213-U-1815
	RH	3111-V-3324	3133-X-7642	-	-	3262-G-1255	A3213-U-1815
4-K46	LH	3111-U-3323	3133-T-7690	-	-	3262-G-1255	A3213-U-1815
	RH	3111-V-3324	3133-T-7690	-	-	3262-G-1255	A3213-U-1815
4-K47	LH	3111-U-3323	3133-N-7684	-	-	3262-G-1255	A3213-U-1815
	RH	3111-V-3324	3133-N-7684	-	-	3262-G-1255	A3213-U-1815
4-K48	LH	3111-U-3323	3133-N-7684	-	-	3262-G-1255	A3213-L-1780
	RH	3111-V-3324	3133-N-7684	-	-	3262-G-1255	A3213-L-1780
4-K49	LH	3111-U-3323	3133-Q-7687	-	-	3262-G-1255	A3213-L-1780
	RH	3111-V-3324	3133-Q-7687	-	-	3262-G-1255	A3213-L-1780
4-K50	LH	3111-U-3323	3133-J-7680	-	-	3262-G-1255	A3213-U-1815
	RH	3111-V-3324	3133-J-7680	-	-	3262-G-1255	A3213-U-1815
4-K51	LH	3111-U-3323	3133-P-7400	-	-	3262-G-1255	A3213-U-1815
	RH	3111-V-3324	3133-P-7400	-	-	3262-G-1255	A3213-U-1815
4-K52	LH	3111-U-3323	3133-P-7686	-	-	3262-G-1255	A3213-U-1815
	RH	3111-V-3324	3133-P-7686	-	-	3262-G-1255	A3213-U-1815
4-K53	LH	3111-U-3323	3133-G-7677	-	-	3262-G-1255	A3213-L-1780
	RH	3111-V-3324	3133-J-7680	-	-	3262-G-1255	A3213-L-1780

(2) No longer available with no replacement.

(16) No longer available. Contact Florence Information Services for replacement information (1-888-725-9355).

DRUM BRAKES AND RELATED PARTS

RF-16, RF-21 and RF-23

Ref	LH/ RH	Brake Assembly (54, Fig 4)	Hub (62, Fig 4)	Brake Drum (69, Fig 4)	Wheel Spacer (70, Fig 4)	Flange (74, Fig 4)	Flange Cap (77, Fig 4)
4-B1	LH	RSA-17006-103	A333-E-2631	B3219-S-4309	-	A3270-V-1036	3262-L-1052
	RH	RSA-17006-103	A333-E-2631	B3219-S-4309	-	A3270-V-1036	3262-L-1052
4-B2	LH	RSA-17006-107	A333-E-2631	B3219-S-4309	-	A3270-V-1036	3262-L-1052
	RH	RSA-17006-107	A333-E-2631	B3219-S-4309	-	A3270-V-1036	3262-L-1052
4-B3	LH	RSA-17006-128	A333-F-2658	3219-Y-4471	3280-E-8637	A3270-V-1036	3262-L-1052
	RH	RSA-17006-128	A333-F-2658	3219-Y-4471	3280-E-8637	A3270-V-1036	3262-L-1052
4-B4	LH	RSA-17006-107	A333-F-2658	3219-Y-4471	3280-E-8637	A3270-V-1036	3262-L-1052
	RH	RSA-17006-107	A333-F-2658	3219-Y-4471	3280-E-8637	A3270-V-1036	3262-L-1052
4-B5	LH	RSA-17006-107	A333-E-2631	3219-S-4309	-	A3270-V-1036	3262-L-1052
	RH	RSA-17006-107	A333-E-2631	3219-S-4309	-	A3270-V-1036	3262-L-1052
4-B6	LH	RSA-17006-103	A333-E-2631	3219-S-4309	-	A3270-V-1036	3262-L-1052
	RH	RSA-17006-103	A333-E-2631	3219-S-4309	-	A3270-V-1036	3262-L-1052
4-B7	LH	RSA-17006-101	A333-F-2658	3219-Y-4471	-	A3270-V-1036	3262-L-1052
	RH	RSA-17006-102	A333-F-2658	3219-Y-4471	-	A3270-V-1036	3262-L-1052
4-B8	LH	RSA-17006-103	A333-F-2658	3219-Y-4471	-	A3270-V-1036	3262-L-1052
	RH	RSA-17006-103	A333-F-2658	3219-Y-4471	-	A3270-V-1036	3262-L-1052
4-B9	LH	RSA-17006-127	A333-F-2658	-	-	A3270-V-1036	3262-L-1052
	RH	RSA-17006-127	A333-F-2658	-	-	A3270-V-1036	3262-L-1052
4-B10	LH	RSA-17006-129	A333-F-2658	3219-Y-4471	-	A3270-V-1036	3262-L-1052
	RH	RSA-17006-129	A333-F-2658	3219-Y-4471	-	A3270-V-1036	3262-L-1052
4-B11	LH	RSA-17006-107	A333-E-2631	3219-S-4309	-	A3270-V-1036	3262-L-1052
	RH	RSA-17006-107	A333-E-2631	3219-S-4309	-	A3270-V-1036	3262-L-1052
4-B12	LH	QP6-1656-5	A333-F-4140	3219-P-5034	-	A3270-V-1036	3262-L-1052
	RH	QP6-1656-6	A333-F-4140	3219-P-5034	-	A3270-V-1036	3262-L-1052
4-B13	LH	QP6-1656-5	A333-G-4141	3219-R-5036	-	A3270-V-1036	3262-L-1052
	RH	QP6-1656-6	A333-G-4141	3219-R-5036	-	A3270-V-1036	3262-L-1052
4-B14	LH	QP6-1656-5	A333-P-4228	3219-N-5786	-	A3270-V-1036	3262-L-1052
	RH	QP6-1656-6	A333-P-4228	3219-N-5786	-	A3270-V-1036	3262-L-1052
4-B15	LH	RSA-17006-107	A333-E-2631	3219-S-4309	3280-U-6989	A3270-V-1036	3262-L-1052
	RH	RSA-17006-107	A333-E-2631	3219-S-4309	3280-U-6989	A3270-V-1036	3262-L-1052
4-B16	LH	RSA-17006-107	A333-F-2658	-	-	A3270-V-1036	3262-L-1052
	RH	RSA-17006-107	A333-F-2658	-	-	A3270-V-1036	3262-L-1052
4-B17	LH	RSA-17006-111	A333-F-2658	-	-	A3270-V-1036	3262-L-1052
	RH	RSA-17006-111	A333-F-2658	-	-	A3270-V-1036	3262-L-1052
4-B18	LH	QP6-1656-5	A333-R-4230	3219-A-5799	-	A3270-V-1036	3262-L-1052
	RH	QP6-1656-6	A333-R-4230	3219-A-5799	-	A3270-V-1036	3262-L-1052

4

CARRIERS

RF-16, RF-21 and RF-23

Axle Model Number	Carrier Assembly (Less Yoke)	Axle Ratios
RF-16-145-NCSF-59	B1-3200-G-1879	4.88
RF-16-145-NCSF-77	B1-3200-G-1879	6.14
RF-16-145-NFLF-67	B1-3200-A-1873	4.11, 4.33, 5.57
RF-16-145-NFLF-71	B1-3200-A-1873	6.43, 7.17
RF-16-145-NFQF-44	B1-3200-A-1873	7.17
RF-16-145-NFQF-53	B1-3200-A-1873	7.17
RF-16-145-NFQF-62	B1-3200-A-1873	4.10, 4.11, 4.33
RF-16-145-NFSF-6	B4-3200-L-1676	7.17
RF-16-145-NFSF-10	B4-3200-L-1676	6.14, 6.83
RF-16-145-NFSF-13	B4-3200-L-1676	4.10, 4.56
RF-16-145-NFSF-30	B4-3200-S-1865	5.29
RF-16-145-NFSF-33	B4-3200-S-1865	7.17
RF-16-145-NFSF-34	B4-3200-S-1865	6.14, 6.83
RF-21-155-NFSF-1	A45-3200-C-1433	4.56, 4.63, 4.89, 5.29, 5.57, 6.17, 6.83, 7.40
RF-21-155-NFSF-3	A45-3200-C-1433	6.17, 6.83
RF-21-155-NFSF-4	A45-3200-C-1433	4.89, 6.17, 6.83, 7.40
RF-21-155-NFSF-8	A45-3200-C-1433	4.11, 4.33, 4.56, 4.63, 4.89, 5.29, 5.38, 5.57, 6.17, 6.83
RF-21-155-NFSF-15	A45-3200-C-1433	4.89, 6.17
RF-21-155-NFSF-20	A45-3200-C-1433	6.17
RF-21-155-NFSF-23	A45-3200-C-1433	6.17
RF-21-155-NFSF-27	A45-3200-C-1433	6.17
RF-21-155-NHSF-6	B93-3200-C-1433	5.29, 5.38
RF-21-156-NFLF-50	A32-3200-F-1436	4.56, 4.63, 4.89, 5.29, 5.38, 6.17
RF-21-156-NFLF-55	A32-3200-F-1436	5.38
RF-21-156-NFLF-57	A32-3200-F-1436	4.56, 6.17
RF-21-156-NFLF-72	A32-3200-F-1436	4.89, 5.29, 5.38
RF-21-156-NFLF-73	A32-3200-F-1436	4.56
RF-21-156-NFQF-23	A32-3200-F-1436	4.56, 4.89, 5.29, 5.38, 6.17
RF-21-156-NFQF-32	A32-3200-F-1436	4.56, 4.63, 4.89, 5.29, 5.38, 6.17
RF-21-156-NFQF-33	A32-3200-F-1436	4.56, 4.89, 5.29, 5.38, 6.17
RF-21-156-NFQF-48	A32-3200-F-1436	5.38
RF-21-156-NFSF-1	A32-3200-F-1436	5.29
RF-21-156-NFSF-3	A32-3200-F-1436	6.17, 6.83
RF-21-156-NFSF-7	A32-3200-F-1436	4.11, 5.29, 5.38
RF-21-156-NFSF-8	A32-3200-F-1436	5.38, 6.17
RF-21-156-NFSF-10	A32-3200-F-1436	4.56, 5.29, 5.38
RF-21-156-NFSF-14	A32-3200-F-1436	4.56, 4.63, 4.89, 5.29, 5.38, 6.17
RF-21-156-NFSF-28	A32-3200-F-1436	6.17
RF-21-156-NHLF-62	A35-3200-F-1436 (1)	5.38
RF-21-156-NHSF-5	A14-3200-F-1436	5.29, 5.38
RF-21-160-NCLF-71	A1-3200-D-1928	6.14
RF-21-160-NCLF-91	A1-3200-D-1928	4.56, 4.89, 5.38
RF-21-160-NCLF-92	A1-3200-D-1928	5.38
RF-21-160-NCLF-93	A1-3200-D-1928	5.86
RF-21-160-NCLF-96	A1-3200-D-1928	5.38
RF-21-160-NCQF-16	A1-3200-D-1928	5.38
RF-21-160-NCQF-22	A1-3200-D-1928	5.63

(1) No less yoke version currently available.

CARRIERS

RF-16, RF-21 and RF-23 (Continued)

Axle Model Number	Carrier Assembly (Less Yoke)	Axle Ratios
RF-21-160-NCQF-26	A1-3200-D-1928	5.38
RF-21-160-NCQF-27	A1-3200-D-1928	5.38
RF-21-160-NCQF-42	A1-3200-D-1928	4.56, 6.14
RF-21-160-NCSF-2	A1-3200-T-1892	4.56
RF-21-160-NCSF-5	A1-3200-T-1892	5.38
RF-21-160-NCSF-6	A1-3200-T-1892	4.56
RF-21-160-NCSF-12	A1-3200-T-1892	5.38
RF-21-160-NFLF-58	A1-3200-A-1821	4.89, 6.43
RF-21-160-NFLF-84	A1-3200-A-1821	4.89, 5.38, 5.86, 6.14, 6.43
RF-21-160-NFLF-94	A1-3200-A-1821	6.43
RF-21-160-NFQF-24	A1-3200-A-1821	4.30, 4.56, 4.89, 5.13, 5.63, 6.43
RF-21-160-NFQF-34	A1-3200-A-1821	5.38, 5.86
RF-21-160-NFQF-37	A1-3200-A-1821	6.14
RF-21-160-NFQF-41	A1-3200-A-1821	4.89, 5.13, 6.14, 6.83, 7.17
RF-21-160-NFQF-44	A1-3200-A-1821	6.14
RF-21-160-NFQF-46	A1-3200-A-1821	5.86
RF-21-355-NFLF-49	L62-3800-N-456	7.21
RF-21-355-NFSF-1	L62-3800-N-456	5.54, 5.83, 6.19, 6.58, 6.77, 7.21
RF-21-355-NFSF-5	L62-3800-N-456	4.38, 5.38, 5.54, 5.82, 6.19, 6.38, 6.77, 7.21, 7.79, 7.92, 9.06
RF-21-355-NFSF-9	L62-3800-N-456	6.77, 7.21, 7.79
RF-21-355-NFSF-12	L62-3800-N-456	9.76, 14.53
RF-21-355-NFSF-16	L62-3800-N-456	6.77
RF-21-355-NFSF-18	L62-3800-N-456	6.77, 7.21, 7.79
RF-21-355-NFSF-25	L62-3800-N-456	9.76
RF-23-180-NCLF-50	A13-3200-L-1910	6.14, 6.83
RF-23-180-NCLF-52	A13-3200-L-1910	7.17
RF-23-180-NCSF-2	A1-3200-A-1899	3.91
RF-23-180-NCSF-8	A1-3200-A-1899	3.91
RF-23-180-NFLF-63	A17-3200-S-1839	7.83
RF-23-180-NFQF-31	A6-3200-S-1839	5.63
RF-23-180-NFQF-34	A6-3200-S-1839	6.83, 7.17
RF-23-180-NFQF-38	A6-3200-S-1839	4.56, 5.38, 7.17
RF-23-180-NFSF-10	A1-3200-J-1804	5.38, 7.17
RF-23-180-NFSF-13	A1-3200-J-1804	5.63
RF-23-180-NFSF-16	A1-3200-J-1804	7.17
RF-23-180-NFSF-22	A1-3200-J-1804	5.38, 5.63
RF-23-180-NFSF-27	A1-3200-J-1804	7.17
RF-23-180-NFSF-28	A1-3200-J-1804	5.63

SUPERCESSION LIST

OLD NUMBER	NEW NUMBER
10-X-694	S-2712-2
13-X-159	1229-J-1544
15-X-523	15-X-523C
15-X-1234	No longer available
20-X-1094	20-X-2006
20-X-1095	20-X-2005
20-X-1565	20-X-1839
20-X-1566	20-X-1840
20-X-377	20-X-1563
20-X-378	20-X-1564
20-X-406C	20-X-406Z
20-X-407C	20-X-407Z
20-X-408C	20-X-408Z
A-333-D-2604	A-333-E-2631
A-333-C-2707	See Footnotes 6 & 7
A-333-F-2892	A-333-F-4114
A-333-G-2893	A-333-C-4111
A-333-W-2961	A-333-S-4127
A-333-M-3445	A-333-E-2631
A-333-Z-3692	A-333-B-4110
1229-X-1012	1229-U-1503
1259-S-305	1259-R-1136 (RH)
1259-S-305	1259-S-1137 (LH)
2110-N-222	2110-V-100
2208-W-413	2208-X-440
2297-M-2041	No longer available
2297-G-2477	No longer available
2910-G-33	No longer available
A-3102-S-3711	A-3102-G-4375
A1-3102-S-3711	A1-3102-G-4375
A-3102-U-4259	A-3102-G-4375
A1-3102-U-4259	A1-3102-G-4375
A-3102-W-4339	A-3102-G-4375
A2-3102-W-4339	A1-3102-G-4375
A3-3102-W-4339	A1-3102-G-4375
A1-3102-G-4375	A1-3102-D-4424
3105-N-222	3105-S-1085
3105-S-1085	3105-M-1183
3133-X-2338	No longer available
3111-G-2477	3111-A-2471
3111-H-2478	3111-B-2472
3111-K-2481	3111-E-2475
3111-L-2482	3111-F-2476
3111-X-2546	No longer available
3111-D-2552	No longer available

OLD NUMBER	NEW NUMBER
3133-D-4008	3133-U-7405
3133-R-4256	No longer available
3133-V-4364	No longer available
3133-R-4646	No longer available
3133-W-4885	3133-N-6488
3133-U-4909	3133-R-7324
3133-J-4924	3133-J-4924K
3133Z-4940	See Footnote 16
3133-V-4962	3133-C-6919
3133-Y-4965	3133-M-6903
3133-U-5013	3133-A-6787
3133-W-5015	See Footnote 14
3133-C-5047	3133-C-5047K
3133-E-5049	No longer available
3133-E-5049K	No longer available
3133-B-5072	3133-B-6788
3133-D-5074	3133-D-5074K
A-3133-P5086	No longer available
3133-E-5153	No longer available
3133-N-5188	3133-S-6935
3133-D-5282	See Footnote 15
3133-K-5341	No longer available
3133-D-5360	No longer available
3133-R-5608	3133-G-7625
3133-Y-5875	3133-Y-5875K
3133-J-5886	No longer available
3133-T-6078	3133-N-6488
3133-N-6488	3133-N-6488K
3133-A-6787	3133-A-6787K
3133-B-6788	3133-B-6788K
3133-L-6876	3133-L-6876F
3133-M-6903	3133-M-6903K
3133-C-6919	3133-C-6919K
3133-S-6935	3133-S-6935K
3133-T-6936	3133-T-6936K
3133-R-7324	3133-R-7324K
3133-Q-7375	3133-Q-7375K
3133-R-7376	3133-R-7376K
3133-U-7405	3133-U-7405K
3133-A-7567	3133-A-7567K
3133-Y-7591	3133-Y-7591K
3133-Z-7592	3133-Z-7592K
3133-U-7639	3133-U-7639K
A-3144-E-551	R230095
A1-3144-J-296	R230076

(6) Replaced by KIT 9307 which includes L.H. hub and drum assembly, flange and seal.

(7) Replaced by KIT 9308 which includes R.H. hub and drum assembly, flange and seal.

(14) Replaced by 3133-T-6936K for all applications except front mounted RF and FDS use 3133-Z-7592K.

(15) For front mount replaced by 3133-U-7639K. For rear mount replaced by 3133-D-7102.

(16) No longer available. Contact Florence Information Services for replacement information (1-888-725-9355).

SUPERCESSION LIST

OLD NUMBER	NEW NUMBER
A1-3144-F-370	R230077
A1-3144-F-1020	A-3144-Y-1091
A-3144-C-1069	A-3144-X-1090
C21-3200-H-606	A45-3200-C-1453
D68-3200-H-606	A41-3200-C-1453
D72-3200-H-606	A45-3200-C-1453
D80-3200-H-606	A43-3200-C-1433
F-3200-H-606	B11-3200-C-1433
A11-3200-X-830	A72-3200-X-830
A37-3200-X-830	A83-3200-X-830
A81-3200-G-969	A1-3200-F-1436
B9-3200-G-969	A1-3200-F-1436
B11-3200-G-969	A6-3200-F-1436
B12-3200-G-969	A1-3200-F-1436
B14-3200-G-969	A3-3200-F-1436
B18-3200-G-969	A4-3200-F-1436
B36-3200-G-969	A1-3200-F-1436
B44-3200-G-969	A3-3200-F-1436
B45-3200-G-969	A5-3200-F-1436
B53-3200-G-969	A8-3200-F-1436
F56-3200-R-1110	H12-3200-R-1110
F80-3200-R-1110	H10-3200-R-1110
F82-3200-R-1110	H13-3200-R-1110
G14-3200-R-1110	H14-3200-R-1110
G75-3200-R-1110	G89-3200-R-1110
A9-3200-C-1433	A45-3200-C-1433
A11-3200-C-1433	A41-3200-C-1433
A30-3200-C-1433	B67-3200-C-1433
A1-3200-F-1436	A24-3200-F-1436
A4-3200-F-1436	A32-3200-F-1436
A8-3200-F-1436	A35-3200-F-1436
A39-3200-P-1498	A53-3200-P-1498
A19-3200-L-1676	B12-3200-L-1676
A24-3200-L-1676	B16-3200-L-1676
A12-3200-R-1708	A8-3200-T-1892
A9-3200-W-1791	A10-3200-A-1899
A-3200-C-1823	A-3200-T-1892
A8-3200-C-1823	A5-3200-T-1892
A-3202-M-6669	A2-3202-F-9834S
A-3202-G-7755	A2-3202-F-9834S
A-3202-L-7916	A3-3202-F-9834S
A-3202-M-7917	A4-3202-F-9834S
A-3202-F-9834	No longer available
A-3202-F-9834S	No longer available
A1-3202-F-9834	No longer available
A1-3202-F-9834S	No longer available
A3-3202-F-9834	A3-3202-F-9834S
A-3202-Z-9984	A-3202-Z-9984S
A-3202-R-9950	A2-3202-F-9834
3215-A-209	3215-B-1068
3215-B-210	3215-C-1069

OLD NUMBER	NEW NUMBER
3219-X-4210	3219-S-4309
A1-3202-M-4485	No longer available
A1-3202-N-4486	No longer available
A-3202-H-7964	No longer available
A-3202-X-8006	No longer available
A-3202-A-8009	No longer available
A1-3202-F-9834S	No longer available
A11-3205-P-1004	No longer available
A-3236-Y-1715	No longer available
A-3236-Z-1716	A-3236-U-2257
A-3236-A-1717	A-3236-V-2258
3262-P-354	No longer available
A-3263-L-220	A-3263-M-1053
3266-M-351	3262-K-349
3270-V-178	3270-C-1043
A-3270-G-163	KIT 2434
3280-P-4800	No longer available
3280-T-5350	No longer available
3280-U-5351	No longer available
3286-V-490	No longer available
J14-3800-N-456	L55-3800-N-456
K66-3800-N-456	L62-3800-N-456
K81-3800-N-456	L55-3800-N-456
K82-3800-N-456	L55-3800-N-456
K83-3800-N-456	L55-3800-N-456
K84-3800-N-456	L55-3800-N-456
K85-3800-N-456	L55-3800-N-456
K88-3800-N-456	L45-3800-N-456
K90-3800-N-456	L55-3800-N-456
K92-3800-N-456	L55-3800-N-456
K94-3800-N-456	L55-3800-N-456
K98-3800-N-456	L55-3800-N-456
L1-3800-N-456	L45-3800-N-456
L2-3800-N-456	L55-3800-N-456
L3-3800-N-456	L55-3800-N-456
L8-3800-N-456	L62-3800-N-456
L9-3800-N-456	L62-3800-N-456
L33-3800-N-456	L45-3800-N-456
L43-3800-N-456	L72-3800-N-456
CP92N71	CP92N-DWT
JLM-710949	JLM-710949C
K-2412Z	K-2412C
RSA-1540-229	RSA-1540-397
RSA-1540-230	RSA-1540-398
RSA-17006-43	RSA-17006-125
RSA-17006-47	RSA-17006-107
RSA-17006-56	RSA-17006-95
RSA-17006-59	RSA-17006-97
RSA-17006-60	RSA-17006-97
RSA-17006-67	RSA-17006-101
RSA-17006-68	RSA-17006-102

NUMERICAL PARTS LIST

PART NUMBER	PAGE NUMBER	PART NUMBER	PAGE NUMBER	PART NUMBER	PAGE NUMBER
4-X-1617	3	20-X-2036	5	A-1205-V-1062	4
4-X-1680	3	20-X-2166	46	A-1205-Y-1091	8
4-X-1770	5	20-X-2167	5, 46	A-1205-X-1116	23
5-X-702	15	20-X-2168	5	1205-N-1184	4
5-X-712	4	20-X-2174	46	A-1205-T-1424	4
5-X-797	4	20-X-2270	46	1205-E-1435	4
5-X-841	24	20-X-2271	46	A-1205-Y-1533	38, 51
5-X-1050	47	20-X-2353	46	A-1205-Z-1534	24, 45
10-X-216	16	20-X-2354	46	A-1205-A-1535	23, 45
10-X-951	15	20-X-2390	46	1205-C-1537	24
10-X-1112	23, 45	26-X-146	16	1205-A-1743	23, 24, 45
10-X-1113	23, 45	26-X-163	16	1205-G-1801	3, 4
10-X-1340	4, 5	26-X-227	3	1205-N-2146	47
10-X-1345	4	26-X-236	16	A-1205-J-2220	8
10-X-1594	24, 47	26-X-243	23, 45	A-1205-P-2434	51
13-X-184	45, 46	A1-311-H-398	20	1225-N-690	3
14-X-3	3	A-311-Z-416	37	1225-K-817	3
14-X-22	16	311-U-489	12, 13	A-1225-F-968	23
14-X-27	3	A-333-N-1756	12	1225-L-974	23, 45
15-X-523C	5	A-333-P-2226	20	1225-Q-979	3
15-X-1237	3	A-333-E-2631	35, 36, 37, 55	1225-U-1191	45
15-X-1594	3, 25	A-333-P-2642	36	1227-F-162	5
15-X-1595	3	A-333-F-2658	36, 37, 38, 55	1227-T-410	3
15-X-1715	4	A-333-C-2707	12	1227-D-446	5
16-X-202	3, 23, 45	333-T-3114	13	1227-U-515	5
20-X-208	5	333-A-3121	13	1227-W-699	15
20-X-209	5	A-333-B-4110	13	A-1227-X-752	15
20-X-404Z	5	A-333-C-4111	12, 13	1227-D-1018	25, 46
20-X-405Z	5	A-333-F-4114	12, 13	1227-K-1025	25, 46
20-X-406Z	5	A-333-S-4127	13	1227-J-1544	23
20-X-407Z	5	A-333-F-4140	55	A-1228-X-1220	45
20-X-746	15	A-333-G-4141	55	1229-S-721	5
20-X-747	15	A-333-P-4228	55	1229-Z-1118	5
20-X-1280	15	A-333-R-4230	55	1229-C-1459	5
20-X-1281	15	A-333-G-4245	13	1229-U-1503	3, 4, 25, 47
20-X-1325	15	1199-G-111	5	1229-V-1504	3, 16
20-X-1326	15	1199-H-112	5	1229-Y-1507	15
20-X-1422	24, 46	1199-M-117	15, 24, 47	1229-C-1511	5
20-X-1423	24, 46	1199-N-118	15, 24, 47	1229-E-1513	5
20-X-1563	24	1199-X-1350	24, 47	1229-V-1556	24, 46
20-X-1564	24	1199-Y-1351	24, 47	1229-W-1557	24, 46
20-X-1589	46	1199-N-1860	47	1229-X-1558	15
20-X-1590	46	1199-T-2854	4, 24	1229-Y-1559	23, 45
20-X-1839	24, 46	1199-E-2917	4	1229-K-1597	4, 15
20-X-1840	24, 46	1199-T-3166	24, 46	1229-M-1625	16, 45
20-X-2005	24, 46	1199-B-3226	3, 4, 16, 19,	1229-B-1666	24, 45
20-X-2006	24, 46		23, 45, 46	1229-C-1667	47
20-X-2033	5	A-1205-G-995	20	1229-V-1998	5
20-X-2034	5	A-1205-B-1042	3	1229-C-2057	15
20-X-2035	5	A-1205-D-1044	3	1229-Z-2106	15

NUMERICAL PARTS LIST

PART NUMBER	PAGE NUMBER	PART NUMBER	PAGE NUMBER	PART NUMBER	PAGE NUMBER
1229-B-2108	15, 16	2203-G-7027	23	A3-3111-W-1687	19
1229-M-2223	3	2203-K-8019	23, 45	A2-3111-X-1688	19
1229-K-2481	3, 4	2203-L-8020	23, 45	A3-3111-X-1688	19
1229-L-2560	25, 46	2203-M-8021	23, 45	A-3111-X-1922	10
1229-M-2561	24	2203-E-8195	4	3111-K-2325	31, 32
1229-H-2920	24, 46	2203-F-8196	4	3111-L-2326	31, 32
1229-Z-2938	3	2203-G-8197	4	3111-Q-2331	32
1229-B-2940	3	2208-X-440	15	3111-R-2332	32
1229-E-2995	23	2245-Q-43	23	3111-S-2333	11
1229-B-3148	5	A2249-D-4	10	3111-T-2334	11
1229-A-4551	23, 45	2297-M-2041	10	3111-X-2338	10
1229-U-4623	45, 46	2297-G-2477	11	3111-Y-2339	10
1246-E-31	16	2803-V-1894	15	A1-3111-B-2394	19
1246-L-272	16	2803-W-1895	15	A1-3111-C-2395	19
1246-F-500	15	2803-X-1896	15	3111-A-2471	33, 35, 52
1246-D-654	23	2803-G-2789	45	3111-B-2472	33, 35, 52
1246-E-655	3	2803-H-2790	45	3111-E-2475	33, 34, 35,
1250-F-318	3	2803-J-2792	45		52, 53, 54
1250-U-333	23	2910-R-18	19	3111-F-2476	33, 34, 35,
1250-B-470	23, 45	2910-G-33	18, 19		52, 53, 54
1250-R-486	3	3102-R-3268	18	3111-X-2546	10
1259-R-1136	4	A-3102-R-3268	18	3111-C-2551	11
1259-S-1137	4	A-3102-T-3400	10	3111-D-2552	11
A-1805-S-539	15, 16	A1-3102-T-3400	10	3111-W-2623	10, 11
A-1805-A-573	15, 16	A-3102-E-3437	10	3111-X-2624	10, 11
A-1805-R-694	3	A1-3102-E-3437	10	3111-V-3090	11
1825-C-159	16	3102-A-4213	31	3111-W-3091	11
1825-C-211	16	A-3102-A-4213	31	3111-U-3323	53, 54
1825-D-212	15	A1-3102-A-4213	31	3111-V-3324	53, 54
1825-Y-259	16	A1-3102-C-4215	10	3111-H-3466	11, 12
1825-X-310	23, 45	A-3102-C-4215	10	3111-J-3468	11, 12
1827-J-88	16	A-3102-J-4222	10	3133-R-7376K	53
A-1829-J-790	16	A1-3102-J-4222	10	A-3133-P-4046	18
1850-G-137	16	A-3102-G-4297	10	A-3133-X-4054	18, 19
1859-T-98	16	A1-3102-G-4297	10	3133-R-4256	11
1898-X-518	16	3102-S-4413	51	3133-V-4364	10, 11
2110-A-1	11	A-3102-S-4413	51	3133-R-4646	10, 11
2110-V-100	31, 52	A1-3102-S-4413	51	A-3133-M-4667	18, 19
2110-A-209	31, 32, 33, 34, 52, 53, 54	3102-D-4424	31, 51	A2-3133-K-4821	18
		A-3102-D-4424	31, 51	3133-J-4924K	10, 11
2110-H-216	18, 19	A1-3102-D-4424	31, 51	3133-Z-4940	33, 35, 52
2203-A-4967	15	A-3102-M-4433	10	3133-Y-5043	33, 52
2203-U-5559	3	A1-3102-M-4433	10	3133-C-5047K	32, 33, 34,
2203-V-5560	3	A-3102-N-4434	10		35, 53, 54
2203-W-5561	3	A1-3102-N-4434	10	3133-E-5049	54
2203-R-6076	4	3105-M-1183	4	3133-E-5049K	32, 34, 35
2203-S-6077	4	A-3111-R-1526	18, 19	A-3133-P-5086	19
2203-T-6078	4	A1-3111-U-1529	18, 19	A-3133-Q-5087	19
2203-E-7025	23	A1-3111-V-1530	18, 19	3133-E-5153	34
2203-F-7026	23	A2-3111-W-1687	19	3133-Q-5191	54

NUMERICAL PARTS LIST

PART NUMBER	PAGE NUMBER	PART NUMBER	PAGE NUMBER	PART NUMBER	PAGE NUMBER
3133-D-5282	32, 34	A-3144-X-1090	31, 51	A-3202-C-8011	9
3133-K-5341	32	A-3144-Y-1091	51	A-3202-D-8012	9
3133-D-5360	10	B26-3200-Z-780	21	A-3202-E-8013	9
A-3133-G-5623	18, 19	C17-3200-Z-780	21	A-3202-F-8014	9
3133-Y-5875K	10	A23-3200-X-830	21	A-3202-H-8016	9
3133-J-5886	10	A43-3200-X-830	21	A-3202-J-8018	9
3133-N-6488K	31	A81-3200-X-830	21	A-3202-J-8122	9
3133-A-6787K	31, 32, 33, 34, 52, 53, 54	A85-3200-X-830	21	A-3202-K-8123	9
3133-B-6788K	32, 34, 35, 52	A96-3200-G-969	41	A-3202-X-8994	9
3133-L-6876K	11, 12	B13-3200-G-969	41	A-3202-Y-8995	9
3133-M-6903K	31	H-3200-R-1110	7	A-3202-S-9431	9
3133-C-6919K	31	H55-3200-R-1110	7	A-3202-T-9432	9
3133-R-6934	32, 34, 35, 52	H57-3200-R-1110	7	A-3202-W-9435	9
3133-S-6935K	32, 33, 34, 35, 52, 54	H84-3200-R-1110	7	A-3202-X-9436	9
3133-T-6936K	31, 32, 33, 34, 52, 53, 54	A33-3200-C-1433	42	A-3202-Z-9438	9
3133-J-7212	11, 12	A43-3200-C-1433	40	A-3202-E-9443	9
3133-Q-7245	52, 53	A45-3200-C-1433	40, 42, 56	A-3202-F-9834	50
3133-R-7324K	31	B93-3200-C-1433	56	A-3202-F-9834S	50
3133-V-7354K	54	A5-3200-F-1436	41	A1-3202-F-9834S	50
3133-Q-7375K	53	A14-3200-F-1436	56	A2-3202-F-9834S	31, 50
3133-G-7391	53	A32-3200-F-1436	41, 42, 56	A3-3202-F-9834S	31
3133-P-7400	53, 54	A35-3200-F-1436	42, 56	A4-3202-F-9834	31
3133-U-7405K	10, 11	A39-3200-F-1436	41	A5-3202-F-9834	50
3133-U-7561	54	B4-3200-L-1676	56	A6-3202-F-9834	50
3133-A-7567K	53	A1-3200-J-1804	57	A7-3202-F-9834	50
3133-B-7568K	54	A1-3200-A-1821	57	A-3202-A-9985S	50
3133-C-7569K	54	A6-3200-S-1839	57	A7-3205-P-1004	50
3133-Y-7591K	52	A17-3200-S-1839	57	A8-3205-P-1004	50
3133-Z-7592K	52	B4-3200-S-1865	56	A9-3205-P-1004	50
3133-G-7625	11	B1-3200-A-1873	56	A10-3205-P-1004	50
3133-U-7639K	54	B1-3200-G-1879	56	A11-3205-P-1004	50
3133-X-7642	53, 54	A1-3200-T-1892	57	A12-3205-P-1004	50
3133-G-7677	54	A1-3200-A-1899	57	A14-3205-P-1004	50
3133-J-7680	53, 54	A13-3200-L-1910	57	A15-3205-P-1004	50
3133-N-7684	54	A1-3200-D-1928	56, 57	A-3213-W-621	11
3133-P-7686	54	A1-3202-M-4485	9	A-3213-Q-693	31, 32
3133-Q-7687	53, 54	A1-3202-N-4486	9	A1-3213-Q-693	33, 34
3133-T-7690	53, 54	A-3202-N-5916	18	A-3213-E-993	11
3133-D-7778	53	A-3202-Z-7202	9	A-3213-J-1258	10, 11
A1-3144-F-370	31	A-3202-A-7203	9	A-3213-K-1467	11
A-3144-U-385	10	A-3202-X-7928	9	A-3213-B-1588	35, 52, 53, 54
3144-H-528	18	A-3202-Y-7929	9	A-3213-S-1605	11
3144-J-530	18	A-3202-D-7934	9	A-3213-T-1606	11, 12
A-3144-V-1036	51	A-3202-E-7935	9	A-3213-L-1780	53, 54
A-3144-B-1068	31, 51	A-3202-G-7963	9	A-3213-U-1815	53, 54
A-3144-D-1070	10	A-3202-H-7964	9	3215-B-1068	13
A-3144-E-1071	10	A-3202-X-8006	9	3215-C-1069	13
		A-3202-Z-8008	9	3218-C-237	13
		A-3202-A-8009	9	3218-E-265	13
		A-3202-B-8010	9	3219-T-3322	12

NUMERICAL PARTS LIST

PART NUMBER	PAGE NUMBER	PART NUMBER	PAGE NUMBER	PART NUMBER	PAGE NUMBER
3219-V-3766	20	3268-E-1409	11, 12	64700	20
3219-G-3829	12, 13	3270-E-83	20	58WBYSM25-2	9
3219-S-4309	35, 36, 37, 55	3270-R-96	12	58WBYSM28-121	9
B-3219-S-4309	55	3270-C-133	12	58WBYSM28-122	9
3219-Y-4471	36, 37, 55	A-3270-M-195	12	58WBYSM28-191	9
3219-K-4691	12, 13	3270-M-1027	13	58WBYSM28-192	9
B-3219-K-4691	13	A-3270-V-1036	35, 36, 37, 38, 55	58WBYSM28-195	9
3219-P-5034	55			58WBYSM28-196	9
3219-R-5036	55	3270-C-1043	12, 13	58WBYSM28-200	9
3219-N-5786	55	3280-P-4800	10	58WBYSM28-201	9
3219-A-5799	55	3280-Q-4801	10	58WBYSM28-202	9
A-3236-X-1714	12	3280-D-4840	31, 32	58WBYSM28-203	9
A-3236-Y-1715	12	3280-E-4841	31, 32	58WBYSM28-204	9
A-3236-J-1934	12	3280-T-5350	11	58WBYSM28-205	9
A-3236-K-1935	12	3280-U-5351	10, 11	58WBYSM28-206	9
A-3236-C-2031	24	3280-L-5940	15	58WBYSM28-225	9
A1-3236-C-2031	24	3280-S-6649	24, 45	58WBYSM28-230	9
A2-3236-C-2031	45	3280-U-6989	36, 37, 55	750NYSM28-110	9
A3-3236-C-2031	45	3280-E-8637	55	750NYSM28-111	9
A-3236-D-2032	24	3286-C-263	20	750NYSM28-112	9
A1-3236-D-2032	24	3286-L-272	12	750NYSM28-146	9
A-3236-U-2257	12	3286-V-490	35, 36, 37	750NYSM28-147	9
A-3236-V-2258	12	3286-A-547	12	750NYSM28-149	9
3262-V-100	12	3286-Q-589	19	750NYSM28-150	9
3262-F-162	20	3299-A-5279	46	750NYSM28-151	9
3262-K-349	31, 32	L59-3800-N-456	39	750NYSM28-152	9
3262-P-354	32	L62-3800-N-456	39, 40, 43, 57	750NYSM28-153	9
3262-R-356	33, 34, 35, 53	L71-3800-N-456	39	750NYSM28-154	9
3262-T-358	33, 34, 35, 52, 53	L78-3800-N-456	40	750NYSM28-176	9
		A25-3800-M-689	40	750NYSM28-177	9
3262-F-370	10, 11, 12	3866-J-816	18, 19	750NYSM28-196	9
3262-Q-1005	13	3902-B-210	18	750NYSM28-197	9
3262-L-1052	12, 13, 55	A-3902-B-210	18	750NYSM28-199	9
3262-W-1115	33	3902-D-212	18	750NYSM28-200	9
3262-U-1139	52, 53, 54	A-3902-D-212	18	850NYSM30-25	18
3262-G-1255	53, 54	A-3933-J-322	19	850NYSM32-18	18
A-3263-M-1053	13	A-3933-A-417	19	92NYSM34-12	50
3266-Q-589	18	3944-H-8	18	92NYSM34-19	50
3268-G-865	12, 13	3944-B-28	18	92NYSM34-20	50
3266-J-1284	53	382A	8	92NYSM34-21	50
3266-N-1340	53	387	8	92NYSM34-22	50
3268-W-1115	34, 35, 52, 53, 54	592A	51	92NYSM34-23	50
		594A	51	92NYSM34-31	50
3268-X-1116	33, 34, 35, 52, 53, 54	39520	8	92NYSM38-78	31, 50
		39590	8	92NYSM38-79	31, 50
3268-F-1124	23, 45	52375	38, 51	92NYSM38-80	31
3268-H-1126	3	52400	51	92NYSM38-81	31
3268-K-1129	10, 11	52618	51	92NYSM38-85	50
3268-L-1130	11	52637	38, 51	92NYSM38-86	50
3268-U-1243	10, 11, 12	64450	20	92NYSM38-87	50

NUMERICAL PARTS LIST

PART NUMBER	PAGE NUMBER	PART NUMBER	PAGE NUMBER	PART NUMBER	PAGE NUMBER
92NYSM38-88	50	RSA-17006-23	36	WA-16	5, 15
92NYSM38-94	50	RSA-17006-24	36	WA-18	4, 16
92NYSM38-95	50	RSA-17006-53	36		
92NYSM38-96	50	RSA-17006-77	37		
950NYSM38-1	50	RSA-17006-95	37, 36		
950NYSM38-20	50	RSA-17006-97	36		
950NYSM38-21	50	RSA-17006-101	37, 55		
CP58WB-DWT	9	RSA-17006-102	37, 55		
CP750N1	9	RSA-17006-103	35, 36, 37,		
CP850N4	18		38, 55		
CP92N-DWT	31, 50	RSA-17006-107	35, 36, 37, 55		
CP950N	50	RSA-17006-111	37, 38, 55		
HM-218210	20	RSA-17006-125	35, 36		
HM-218248	20	RSA-17006-127	55		
HM-804810	23	RSA-17006-128	55		
HM-804840	23	RSA-17006-129	55		
JHM-720210	38, 51	RSA-17205-3	20		
JHM-720249	38, 51	RSA-17205-8	20		
JLM-710910	8	RSA-17205-9	20		
JLM-710949C	8	RSH-1540-227	12		
JM-612910	8	RSH-1540-245	12		
JM-612949	8	RSH-1540-393	12, 13		
K-2412	16	S-166-2	5, 15		
K-2412C	3, 46	S-265-2	24, 45		
K-2416	45	S-266-2	4, 47		
K-2614	4, 24	S-1818-2	4		
K-2616	3, 24	S-1822-2	16		
K-2618	23, 45, 46	S-2710-2	5		
M-86610	3	S-2712-2	5		
M-86649	3	S-2718-2	5		
N-18-1	4, 16	S-2811-2	5		
N-39-1	3	S-2812-2	5		
N-110-1	15	S-2826-2	5		
N-214-1	23, 24, 46	S-7810S	5		
N-312-1	23, 45	S-11416-2	16		
N-410-1	16	S-11422-2	16		
N-512-1	4, 24	S-21014A-2	4		
NL-19-1	15	S-21016-2	4		
NL-212-1	16	S-21018-1	24		
PW-243	25	S-21018A-2	46		
QP6-1656-5	55	S-21022-2	4		
QP6-1656-6	55	S-21026-2	4		
RDH-17006-23	35	S-21216A-2	3		
RDH-17006-24	35	S-21217-2	16		
RSA-1540-373	13	S-21218-2	24		
RSA-1540-374	13	S-21218A-2	3		
RSA-1540-397	12	S-21422A-2	45		
RSA-1540-398	12	SC-1021-1	15		
RSA-1540-405	13	SN-919-1	16		
RSA-1540-406	13	WA-110	15		

CORRECTIONS? ADDITIONS? DELETIONS? COMMENTS? WE WANT TO KNOW!

Just fill out the card, tear it out and mail it. The postage is already paid.

In regard to Meritor Front Drive Steering Axle Parts Catalog, PB-9151, Revised 1-99:

PAGE #: _____ PART NUMBER: _____

COMMENTS: _____

Your Name: _____ Your Company: _____

Address: _____ Phone: _____

City: _____ State & Zip: _____

LITERATURE ORDER FORM

ITEM	DESCRIPTION	QTY	PRICE	TOTAL
TP-9428	Front Drive Axle, RF-16-145 Product Profile		No Charge	
TP-9429	Front Drive Axle, RF-21-156 Product Profile		No Charge	
TP-9438	Front Drive Axle, RF-21-160 Product Profile		No Charge	
TP-90159	Truck Front Axle Essentials (Parts Training)		\$5.00	
TP-90196	Quick Reference Rebuild Tips		\$2.50	
TP-87123	Meritor Parts Failure Analysis Guide		\$5.00	
SP-90143	Meritor Parts Invoice Stuffer (50/pack)		\$3.00/pk	
SP-90142	Parts Banner		\$3.00	
SP-89135	Front Axle Parts Fleet Mailer Postcards (50/pack)		\$2.00/pk	
SP-89134	Front Axle Parts Fleet Mailer Invoice Stuffers (50/pack)		\$3.00/pk	
MM-2	Non-Driving Front Axle Maintenance Manual		\$2.50	
MM-12	Front Driving Axles Maintenance Manual		\$2.50	
PB-8951	Meritor Front Axle Parts Catalog		\$5.00	
PB-9151	Front Driving Steering Axle Parts		\$2.50	
TOTAL ENCLOSED			\$	

Name _____ Phone No. _____

Company _____

Address _____

City _____ State _____ Zip Code _____



NO POSTAGE
NECESSARY
IF MAILED
IN THE
UNITED STATES

BUSINESS REPLY MAIL

FIRST CLASS PERMIT NO. 109 TROY, MI

POSTAGE WILL BE PAID BY ADDRESSEE

MERITOR AUTOMOTIVE, INC.
AFTERMARKET SERVICES
7975 DIXIE HIGHWAY
FLORENCE, KY 41042-9918



ATTENTION:
CATALOG DEPT.



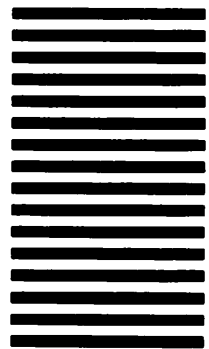
NO POSTAGE
IS NECESSARY
IF MAILED
IN THE
UNITED STATES

BUSINESS REPLY MAIL

FIRST CLASS PERMIT NO. 667 LIVONIA, MI

POSTAGE WILL BE PAID BY

Meritor Automotive, Inc.
Inquiry Handling Department
P.O. Box 2803
Livonia, MI 48151-9963



MERITOR AFTERMARKET PARTS WARRANTY

We warrant all new parts for one year from date of shipment to the buyer against defective material or workmanship (but not against damage caused by accident, abuse or improper installation, maintenance or repair) when such parts are used on vehicles the specifications of which have been approved by our Engineering Department.

As the exclusive remedy under this warranty, we will, at our option, repair or replace such parts free of charge, or take back the nonconforming parts and refund the monies paid by buyer for such parts, if found on examination by us to be nonconforming and if any necessary return charges are prepaid.

If it is necessary to return any parts under this warranty, buyer agrees not to make any deduction on account thereof from remittances on current accounts while claims are in the process of disposition. Any expense incurred without our consent for repairs or replacement will not be allowed.

THIS WARRANTY IS EXPRESSLY IN LIEU OF ALL OTHER WARRANTIES OR CONDITIONS, EXPRESS, IMPLIED OR STATUTORY, INCLUDING ANY IMPLIED WARRANTY OF MERCHANTABILITY OR FITNESS FOR PARTICULAR PURPOSE. IN NO EVENT SHALL SELLER BE LIABLE FOR INCIDENTAL OR CONSEQUENTIAL DAMAGES OF ANY NATURE.

Only genuine Meritor replacement parts are covered by this aftermarket parts warranty.

MERITOR PARTS. RIGHT FROM THE START.



Meritor Automotive, Inc.
Aftermarket Services
7975 Dixie Highway
Florence, KY 41042 USA
888-725-9355
<http://www.meritorauto.com>

Information contained in this publication was in effect at the time the publication was approved for printing and is subject to change without notice or liability. Meritor Automotive, Inc. reserves the right to revise the information presented or discontinue the production of parts at any time.

© 1991
Meritor Automotive, Inc.
All Rights Reserved

Printed in the U.S.A.

PB-9151
Revised 1-99
/05060